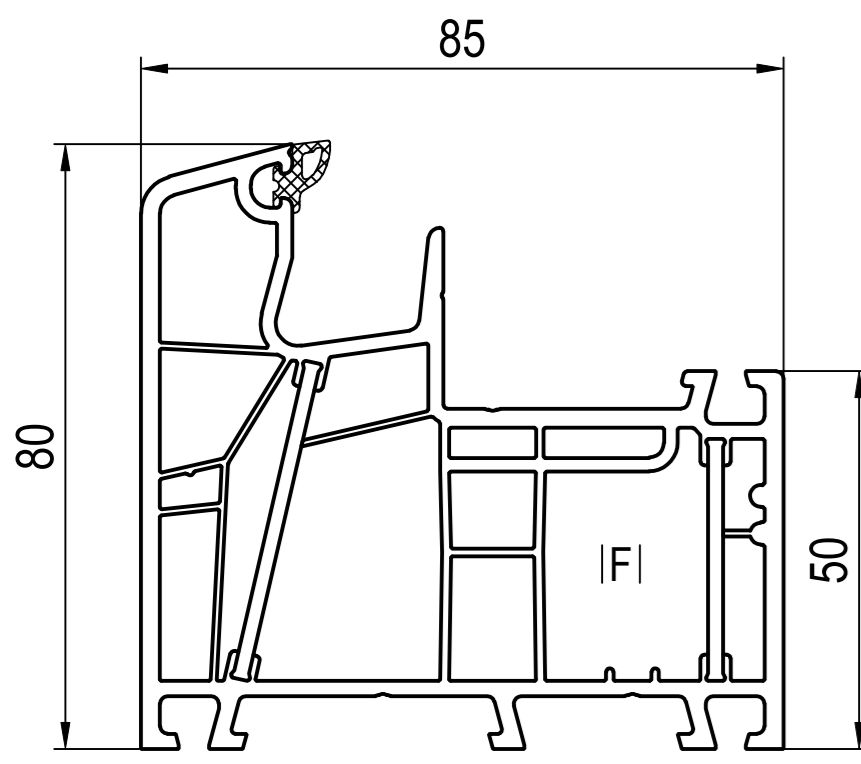
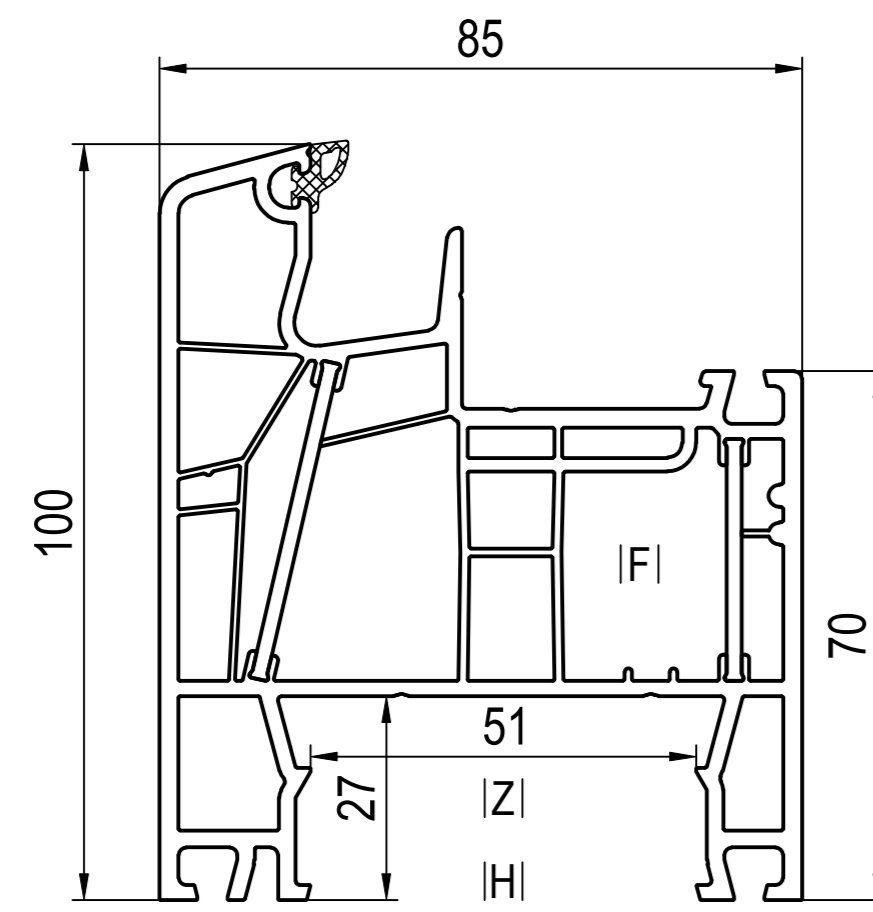


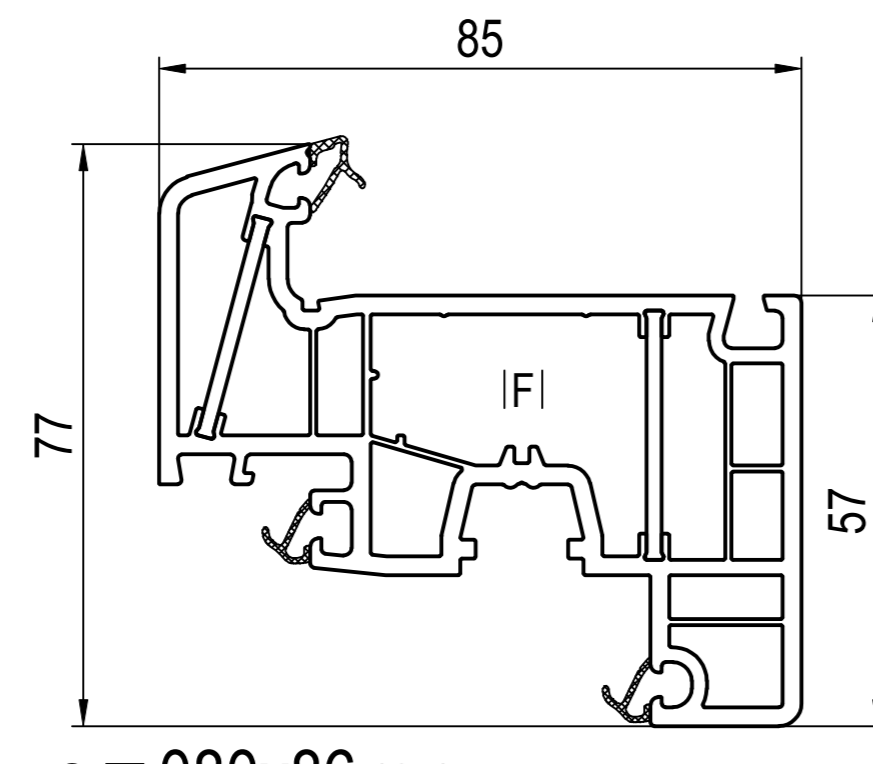
Main Profiles



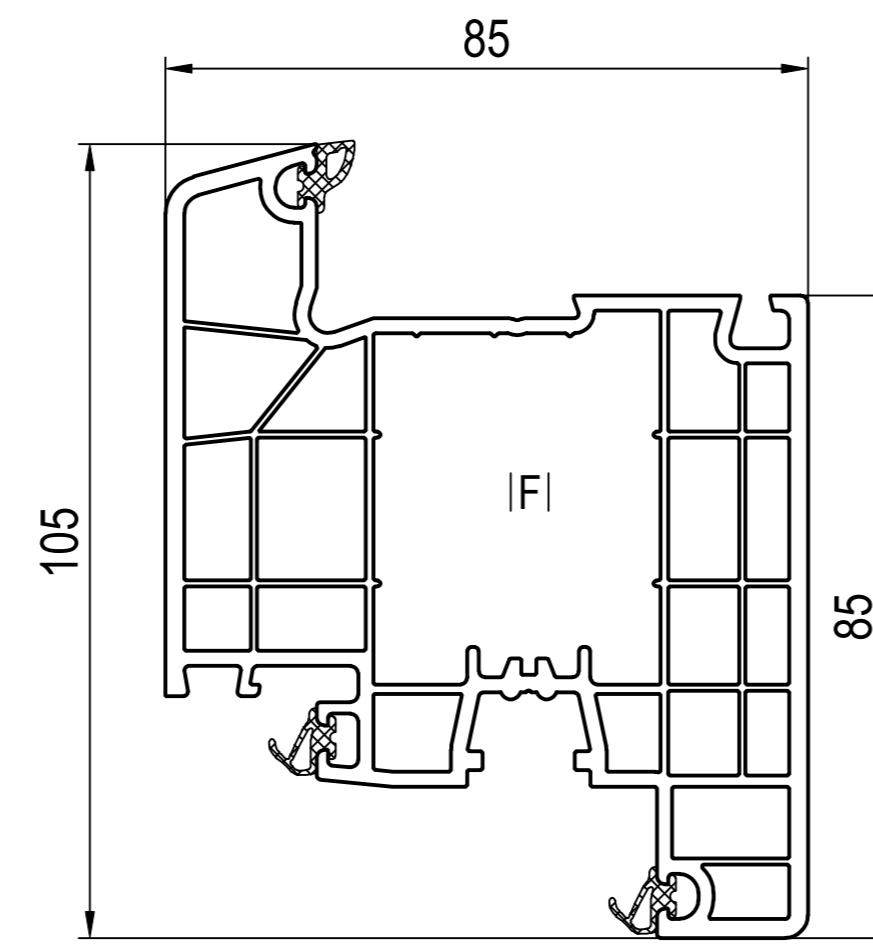
■ **080x05 (CL)**
FI 229117, 229119
PI 289304, 289313
QI 287301, 287303
UI 249058, 269060
VI 686471



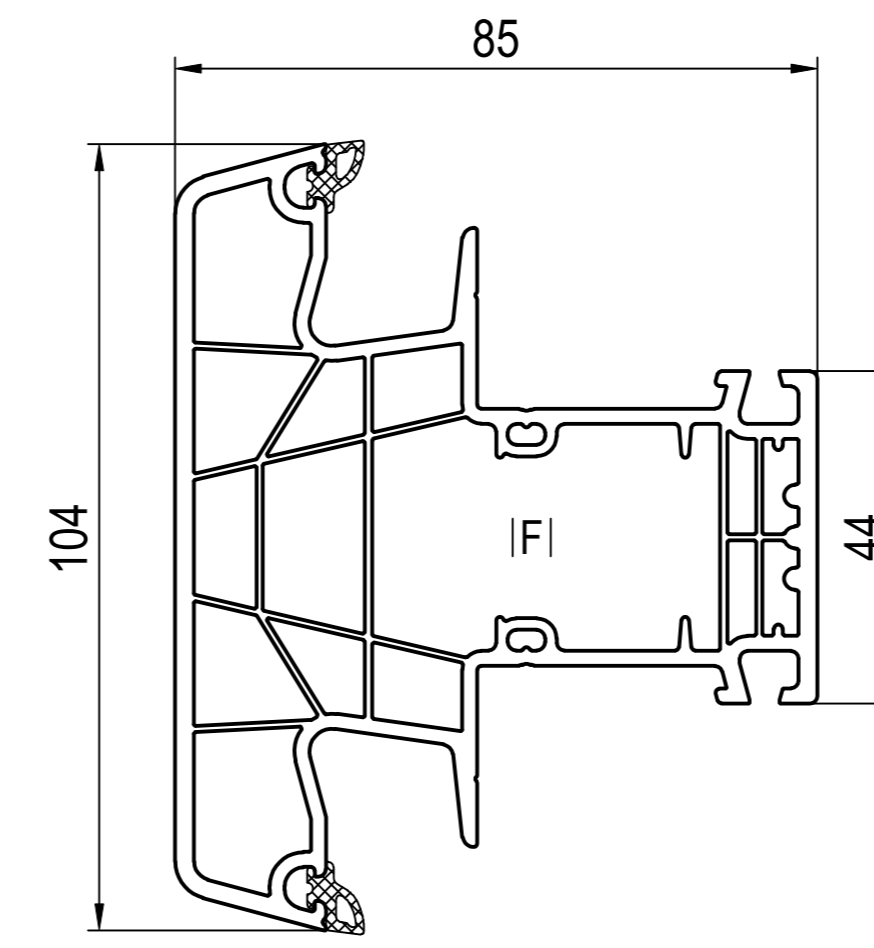
■ **080x04 (CL)**
FI 229117, 229119
IH 685058
PI 289304, 289314
QI 287301, 287303
UI 249058, 269060
VI 686474
ZI 680289



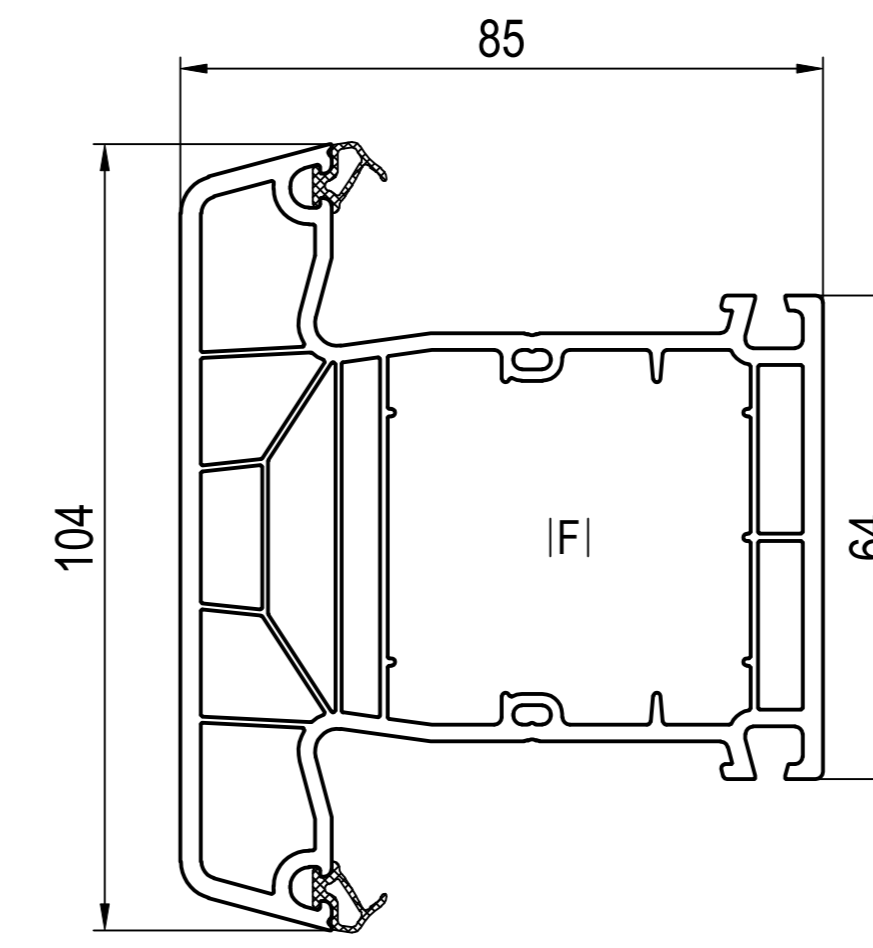
Ⓝ ■ **080x86 (CL)**
FI 239019, 239020
PI 289420



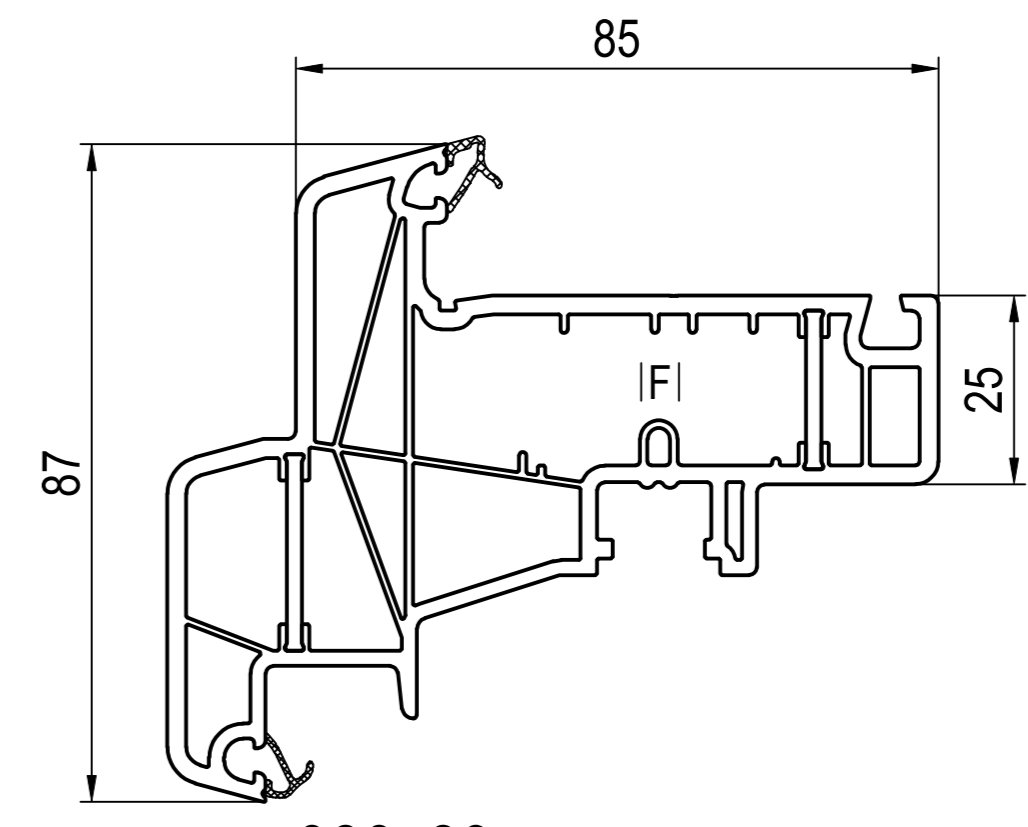
■ **180x30 (CL)**
FI 229114, 229115, 249195
PI 289430



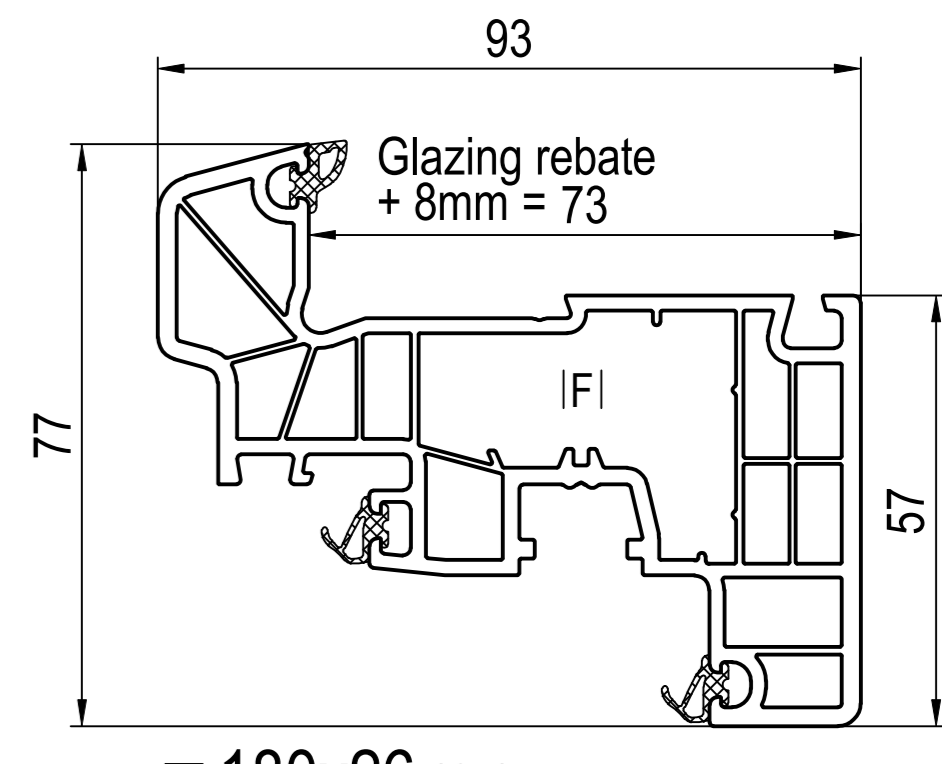
■ **180x44 (CL)**
DI 687131, 657130, 657134
DI 687102, 657030, 640046
XI 659032, 659033 bl
XI 650032, 650033 wh
FI 229102, 229103
PI 289343
UI 249058, 269060
W 686473



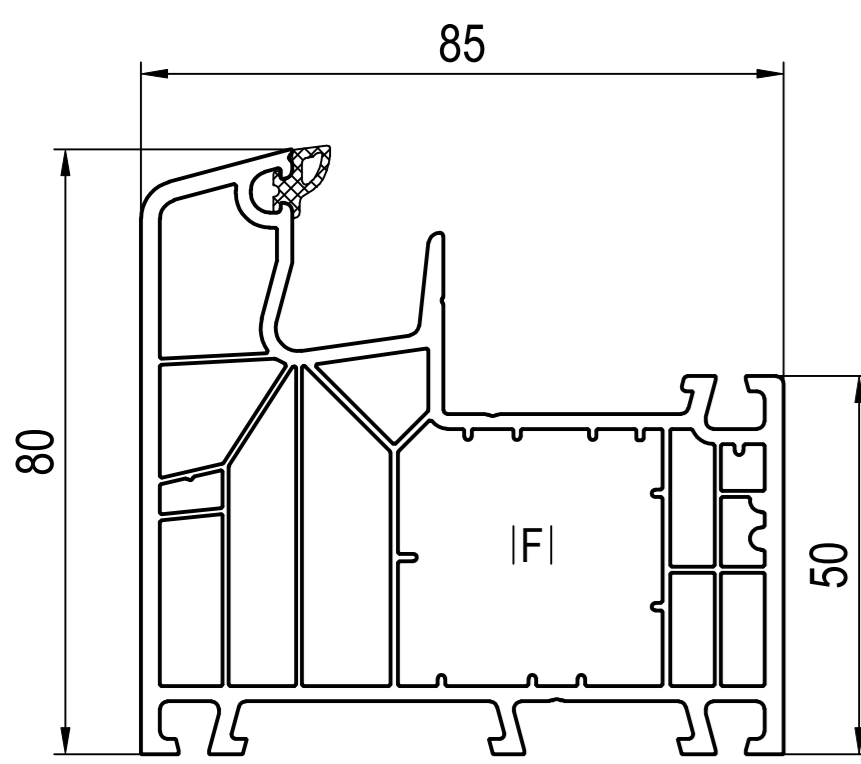
■ **170x44 (CL)**
DI 677144, 640046
FI 249034, 249035
PI 289343



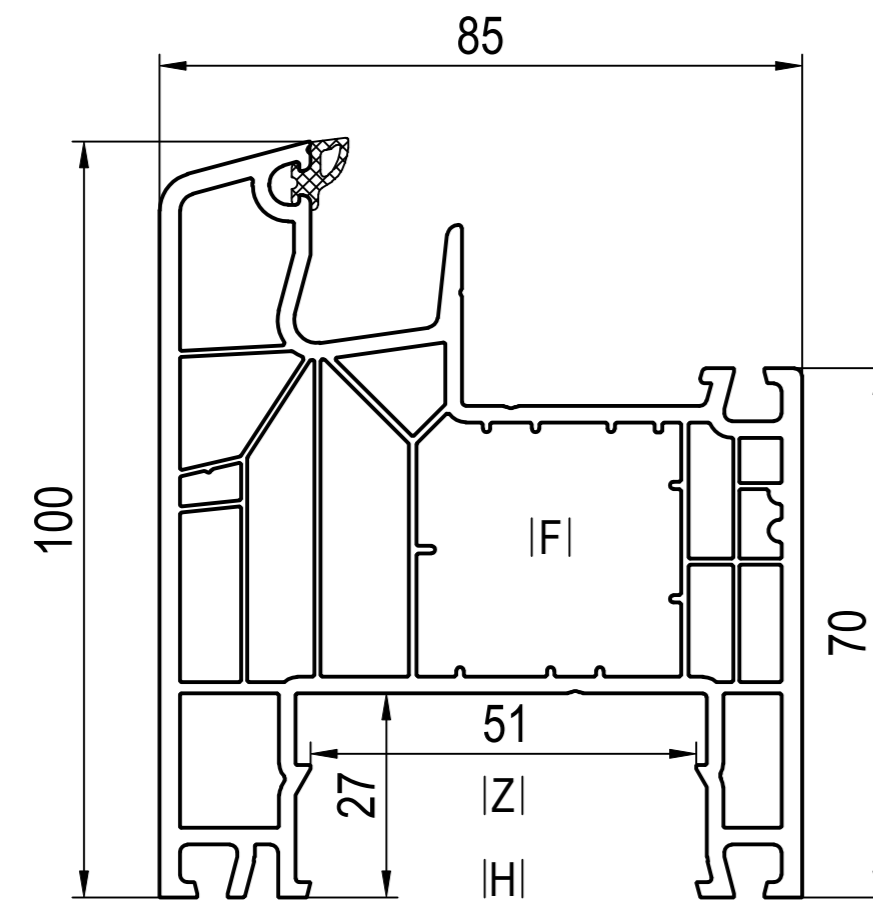
Ⓝ ■ **080x89 (CL)** ->080x86, 180x86
CI 680029
FI 229034, 259016
PI 289489



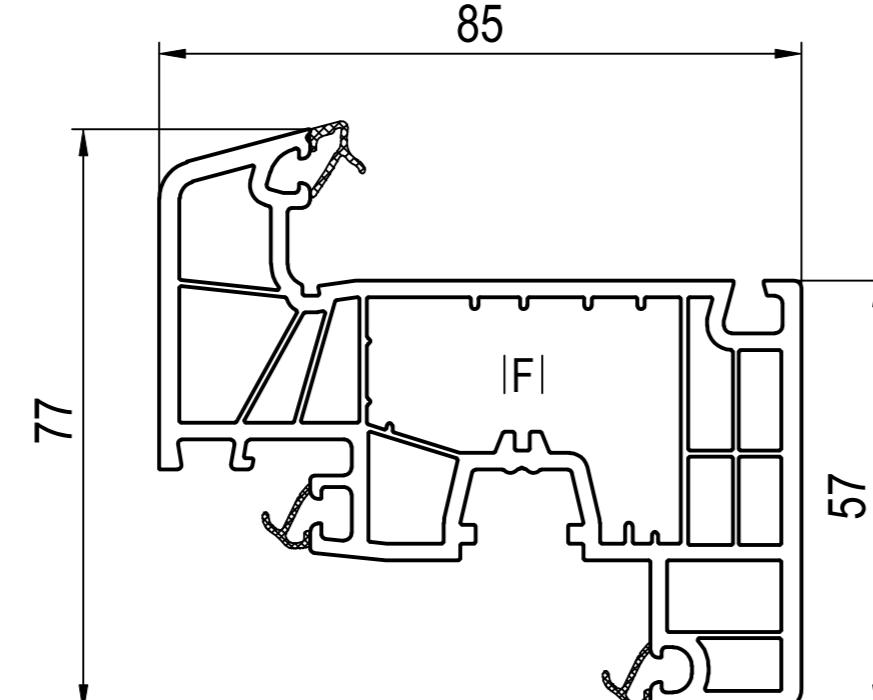
■ **180x26 (CL)**
FI 239019, 239020, 249025, 259002, 259025
PI 289326



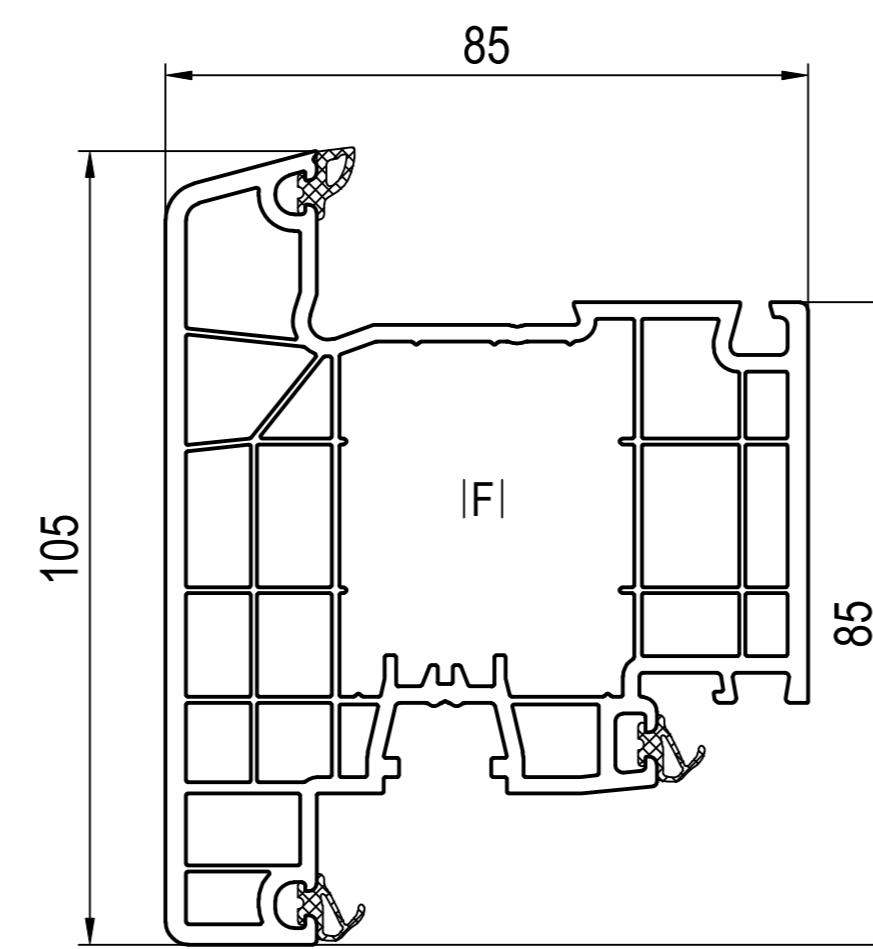
■ **180x05 (CL)**
FI 229112, 229113, 229121, 239019, 239020
PI 289304, 289313
QI 287301, 287303
UI 249058, 269060
VI 686471



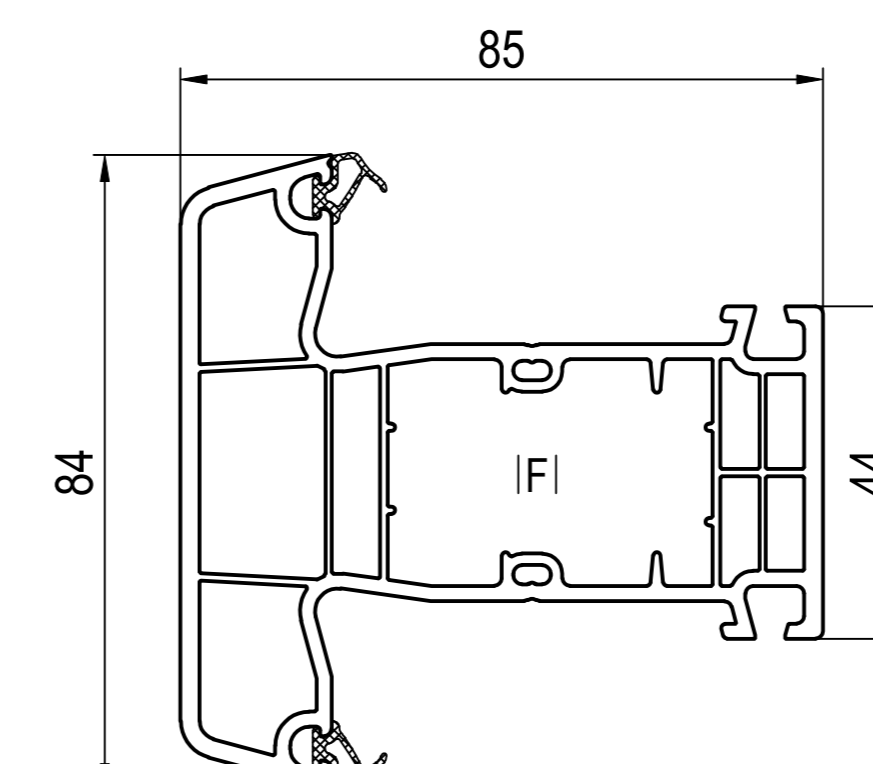
■ **180x04 (CL)**
FI 229112, 229113, 229121, 239019, 239020
IH 685058
PI 289304, 289314
QI 287301, 287303
UI 249058, 269060
VI 686474
ZI 680289



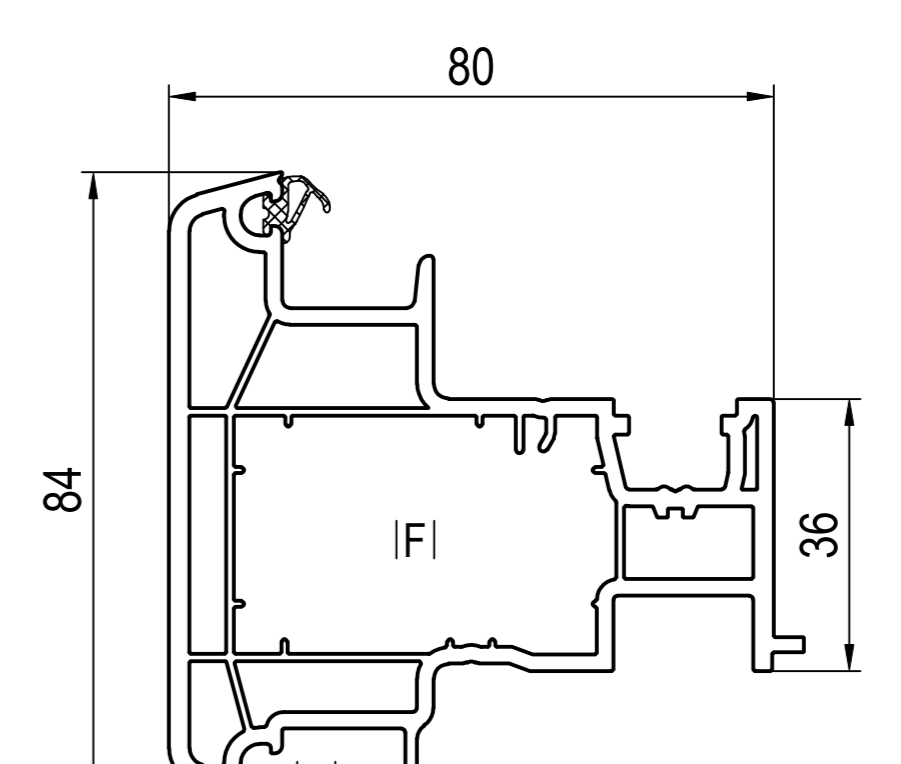
Ⓝ □ ■ **180x86 (CL)**
FI 239019, 239020, 249025, 259002, 259025
PI 289420



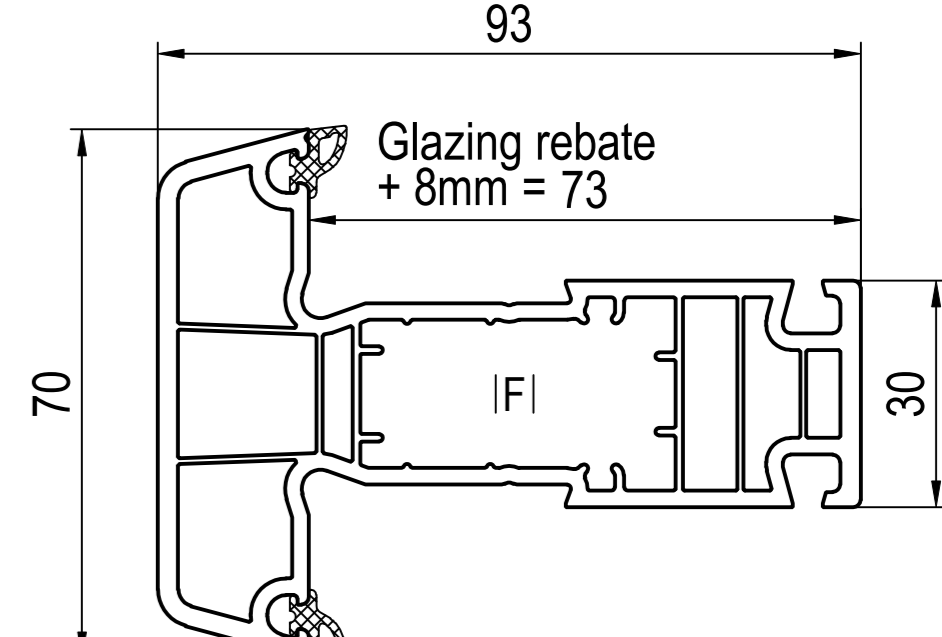
■ **180x31 (CL)**
FI 229114, 229115, 249195



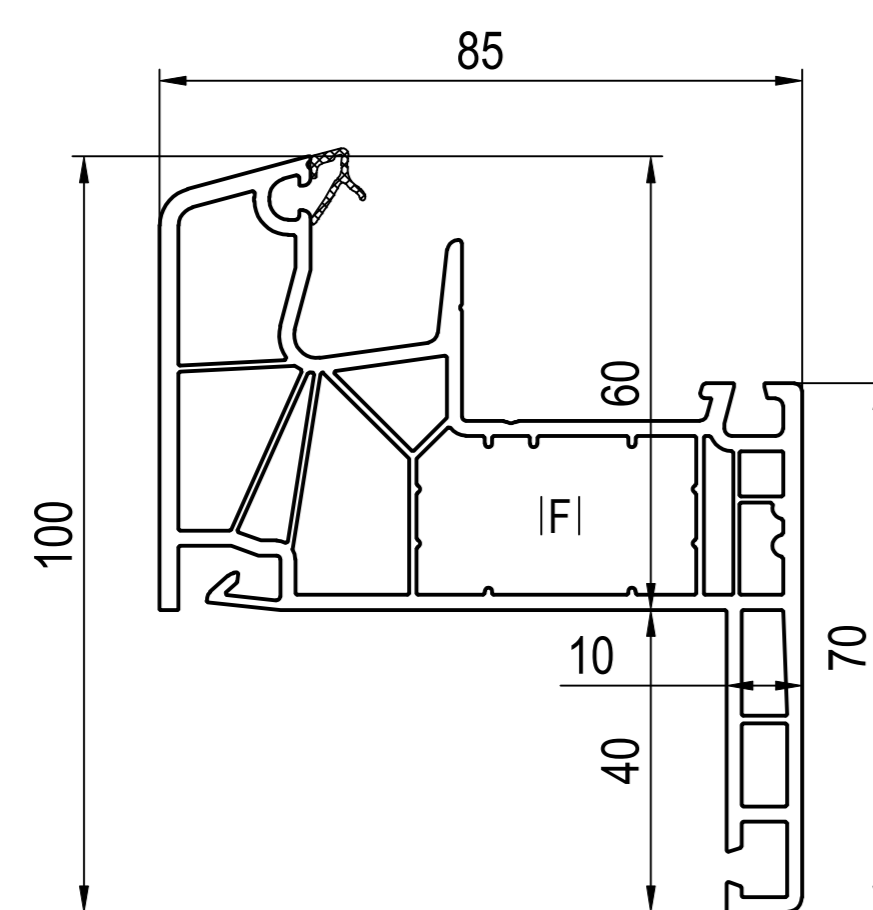
■ **170x41 (CL)**
DI 677142, 620046, 640046
FI 259043, 259044
PI 289341



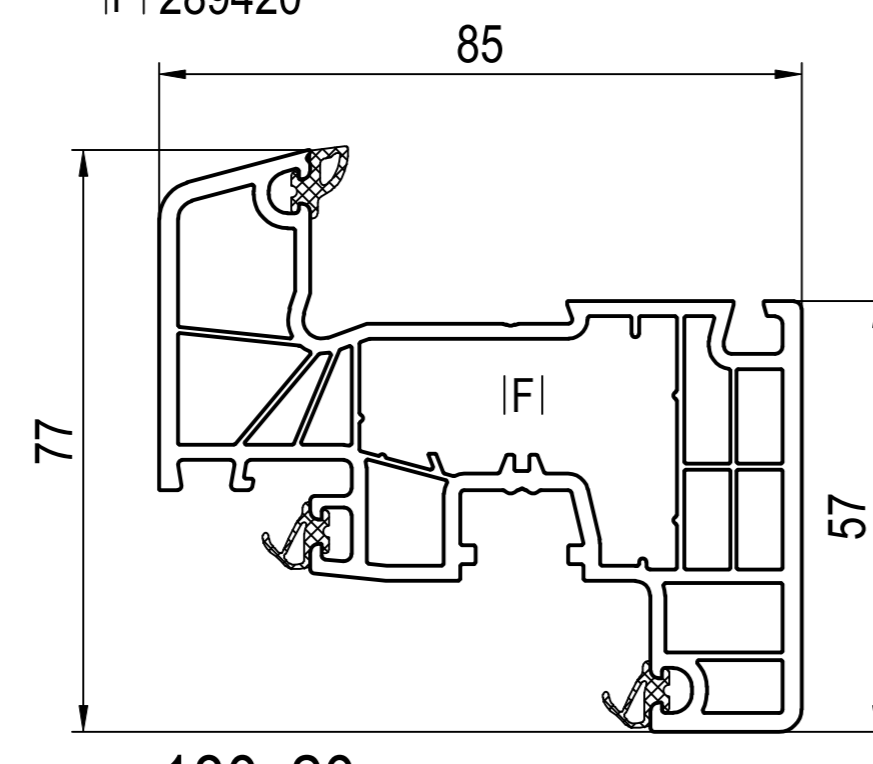
■ **180x66 (CL)**
CI 680066
FI 229029, 229030, 289066
PI 249341
XI 447340, 449340



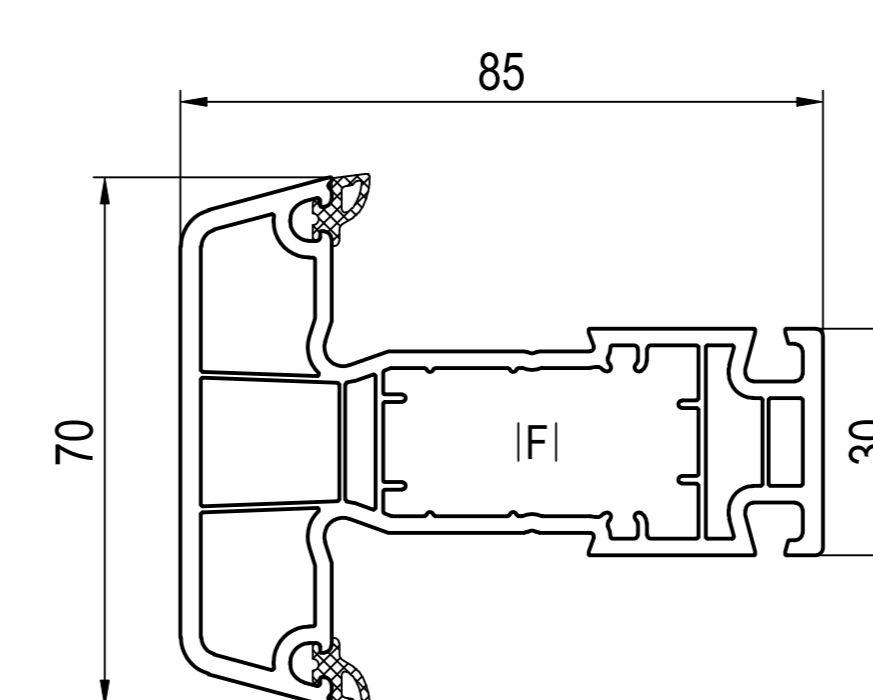
■ **180x47 (CL)** ->180x26, 180x69
DI 689147, 689149, 680046
DI 689157, 689159
FI 229037
PI 289346



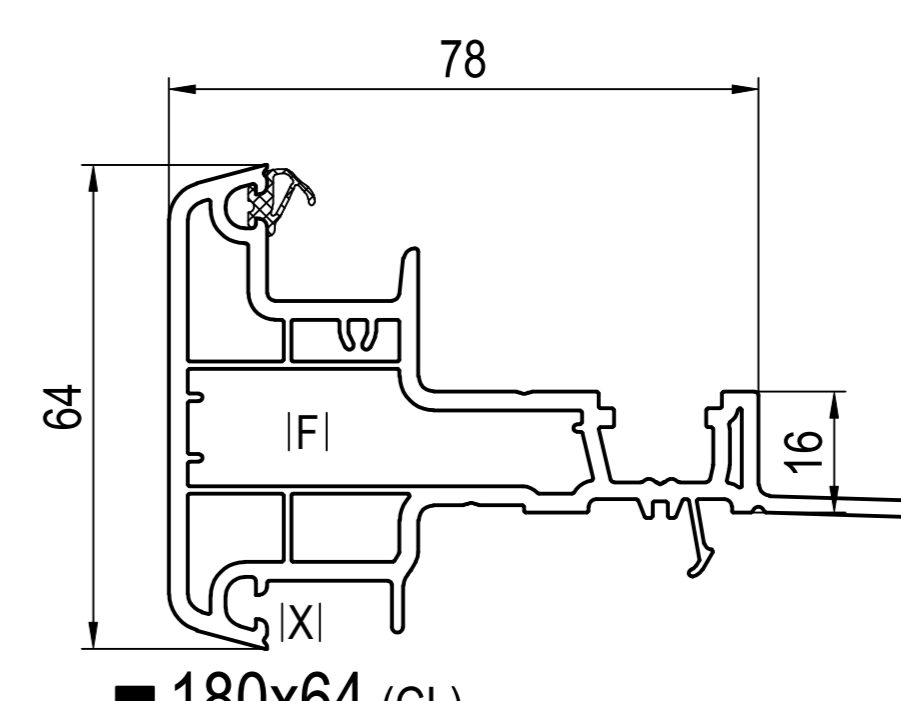
■ **180x15 (CL)**
FI 229037
PI 289304
QI 287301, 287303



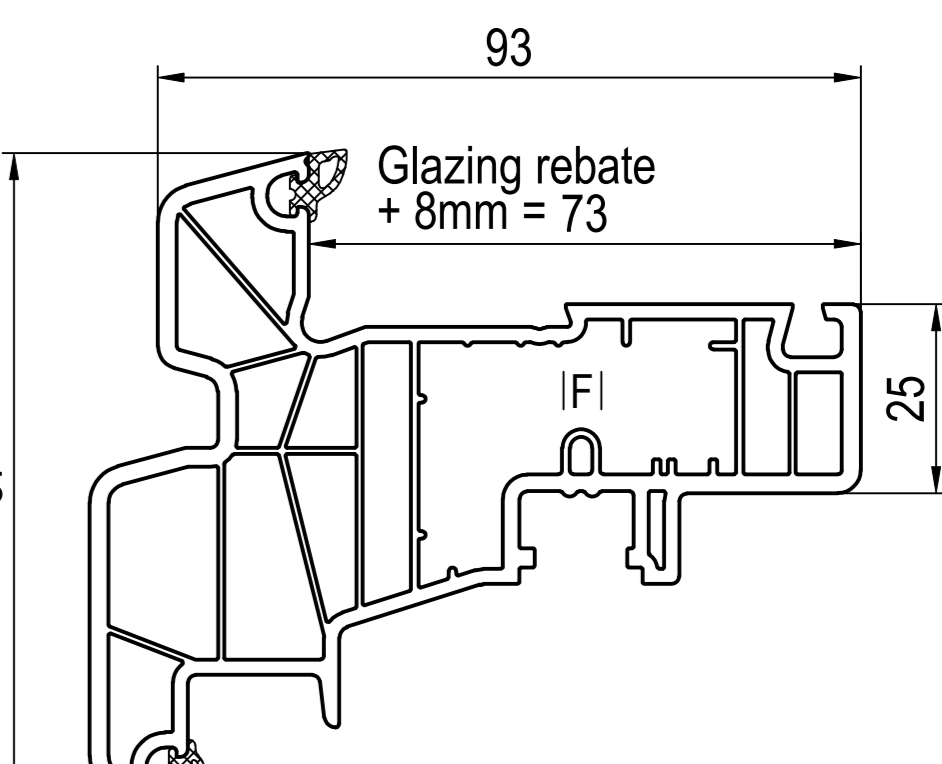
■ **180x20 (CL)**
FI 239019, 239020, 249025, 259002, 259025
PI 289420



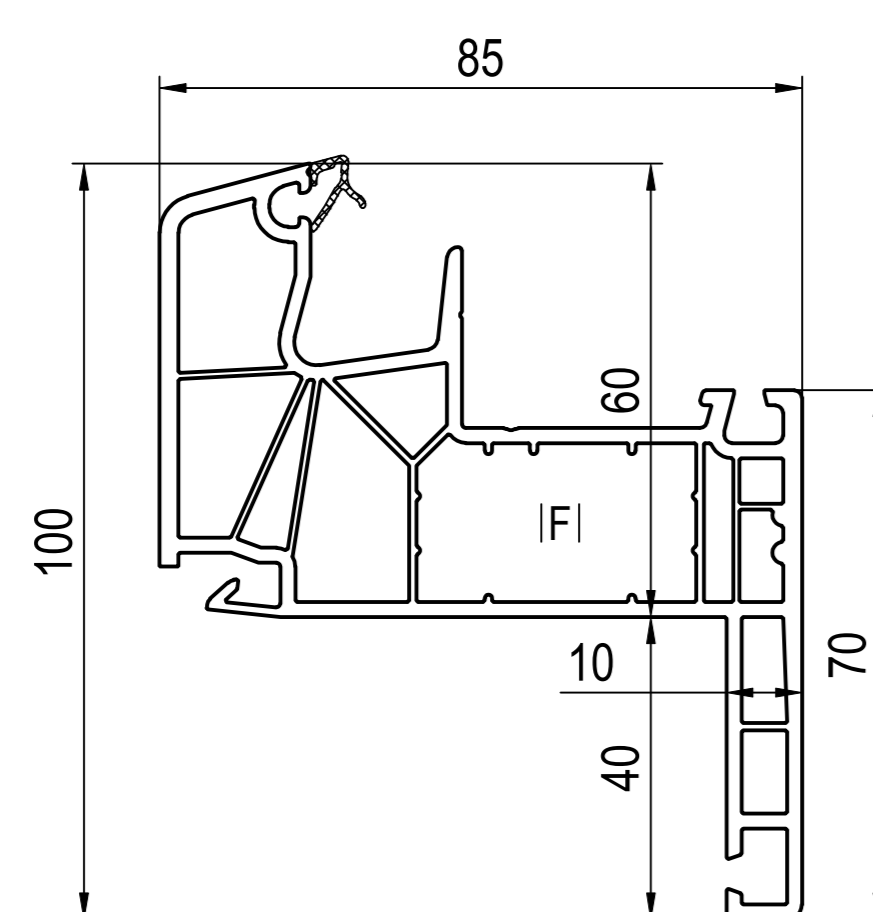
■ **180x46 (CL)**
DI 689146, 689148, 680046
DI 689156, 689158
FI 229037
PI 289346



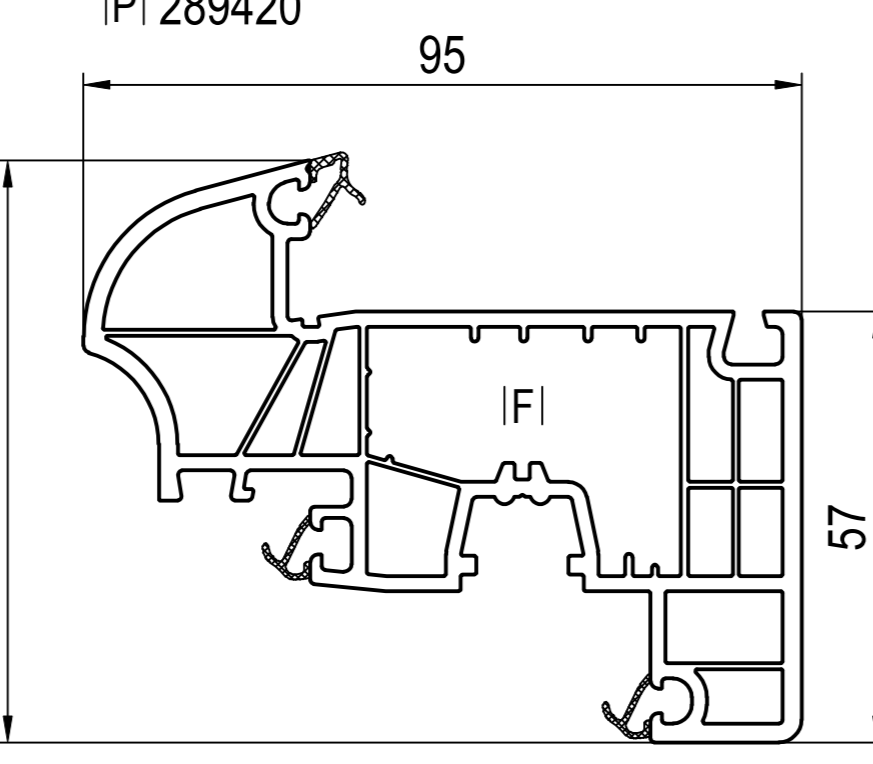
■ **180x64 (CL)**
CI 680064
FI 229063
PI 259365
XI 447340, 449340



■ **180x69 (CL)** ->180x26
CI 680029
FI 239019, 239020, 249025, 259002, 259025
PI 289369



■ **180x16 (CL)**
FI 229037
PI 289304
QI 287301, 287303



Ⓝ ■ **180x85 (RL)**
FI 239019, 239020, 249025, 259002, 259025
PI 289485

Ⓝ Bonding of pane

□ not laminated
■ laminated

CI End caps
DI Connector
DI Connector without sticks
DI = DI -> Bonding of pane
FI Reinforcements
FI Installation / mounting anchor
PI **aluskin** Aluminium shells
QI Aluminium step protection
UI Aluminium threshold
VI Connection for threshold
WI Mullion coupler
XI Gaskets
ZI Special accessories

-> for

(CL) Classic-line
(RL) Round-line

bl black
wh white

