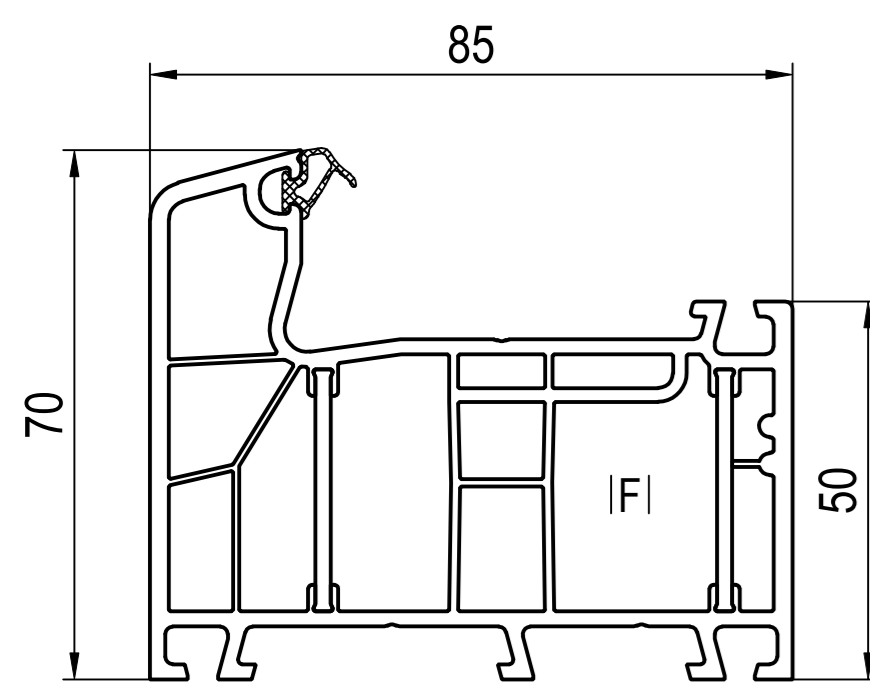
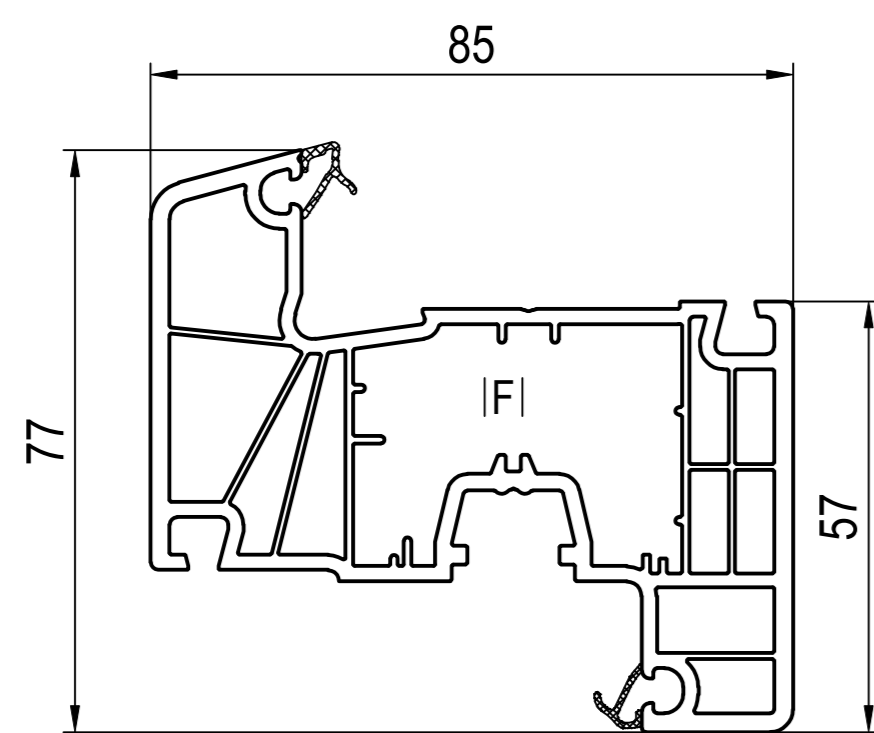


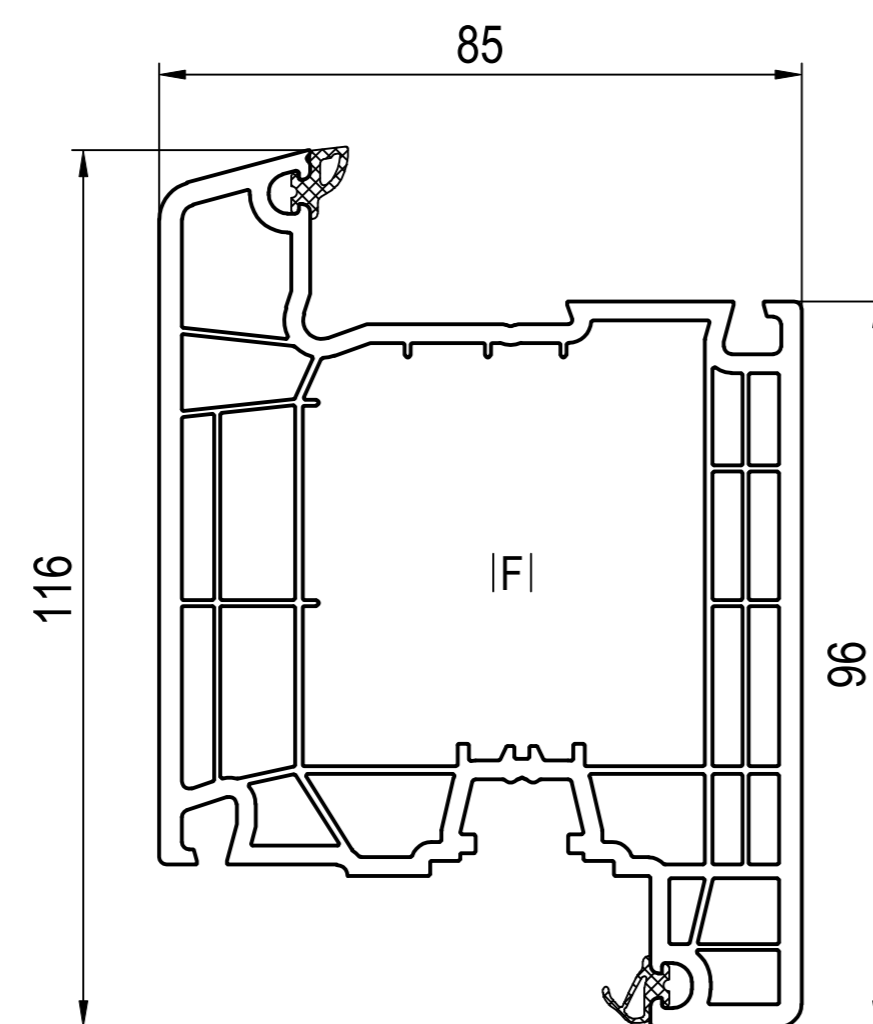
Main Profiles



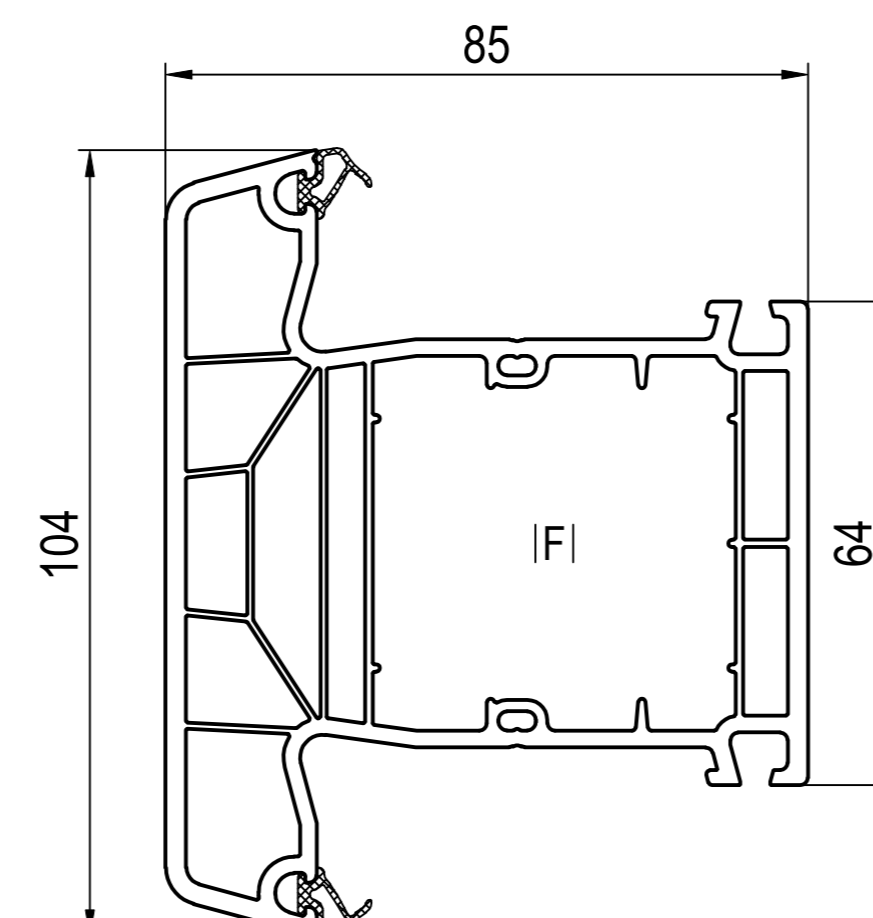
■ 070x02 (CL)  
FI 229117, 229119  
PI 279402, 289304  
IQ 287301, 287303  
IU 249058, 269060  
IV 686475



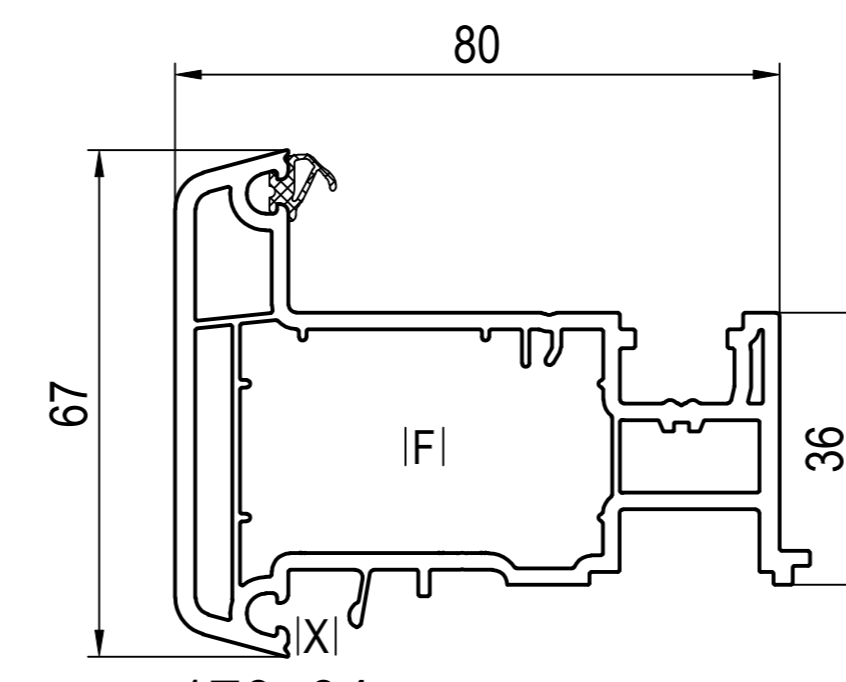
■ 170x20 (CL)  
FI 259020, 259021  
PI 279420



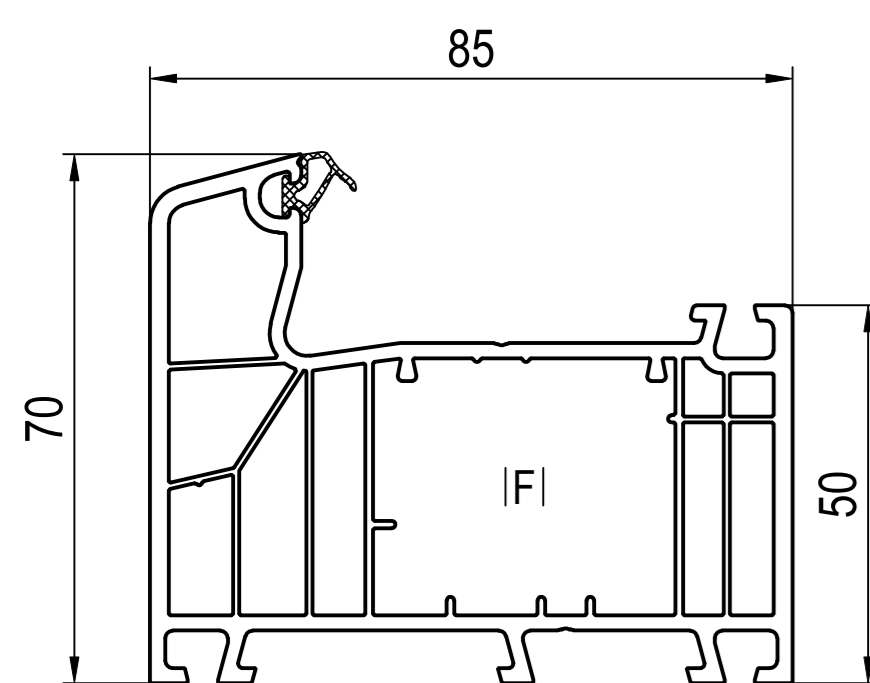
■ 170x33 (CL)  
FI 229135, 229137  
PI 279433



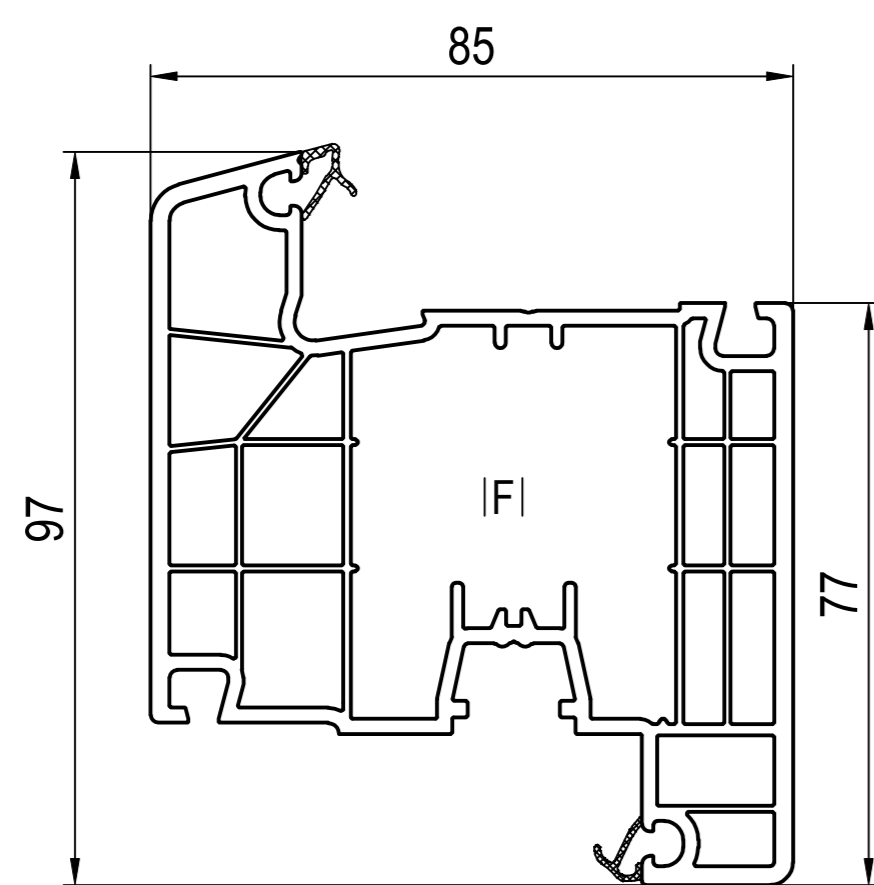
■ 170x44 (CL)  
DI 679135, 677134, 677145, 677146  
DI 679105, 677104, 677144, 677244  
640046  
FI 249034, 249035  
PI 289343  
IU 249058, 269060  
WI 686473



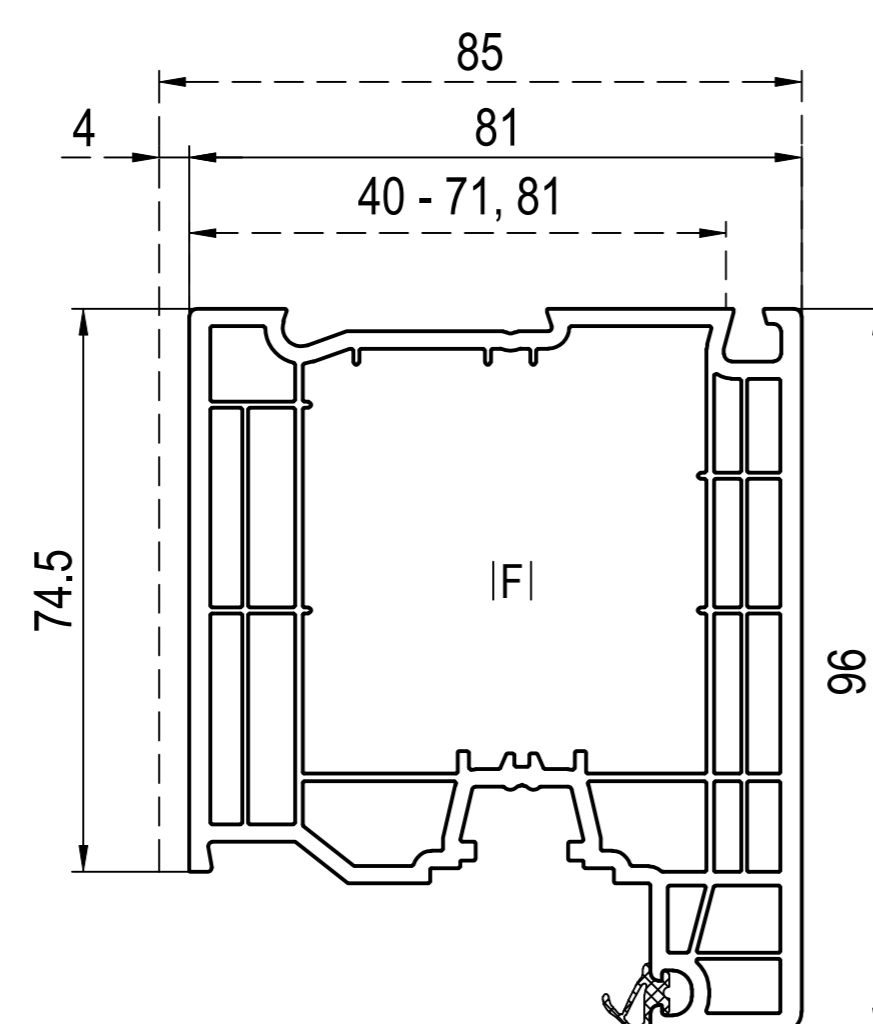
■ 170x64 (CL)  
CI 670064  
FI 229029, 229030, 289066  
PI 279364  
IXI 447340, 449340



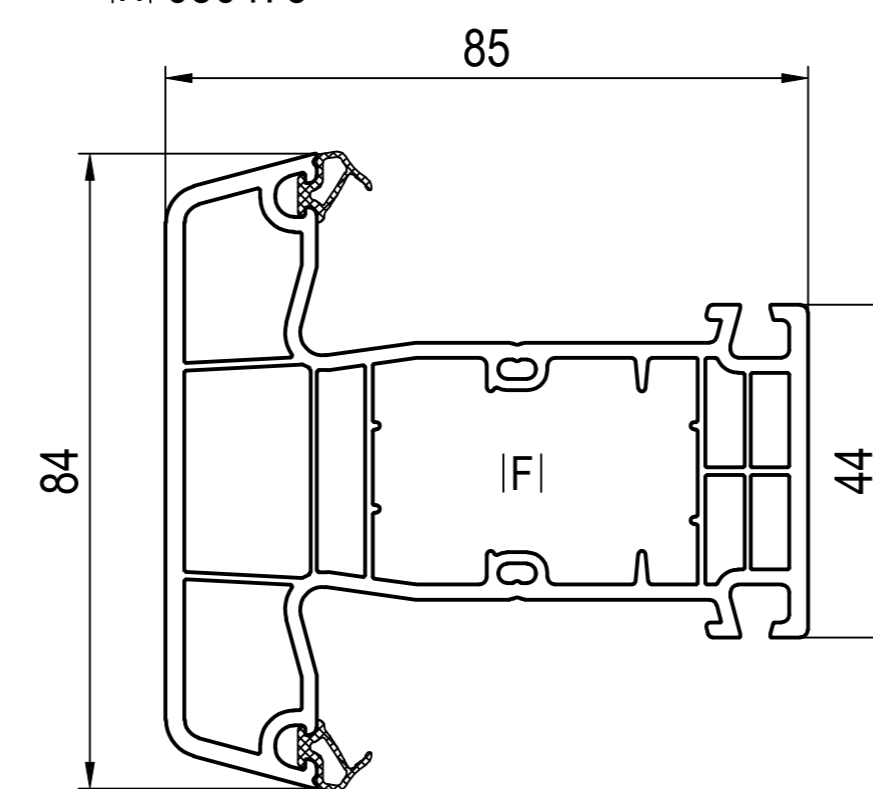
■ 170x02 (CL)  
FI 229023, 229024, 229025, 229026,  
229029, 229030, 249010, 249026  
PI 279402, 289304  
IQ 287301, 287303  
IU 249058, 269060  
IV 686475



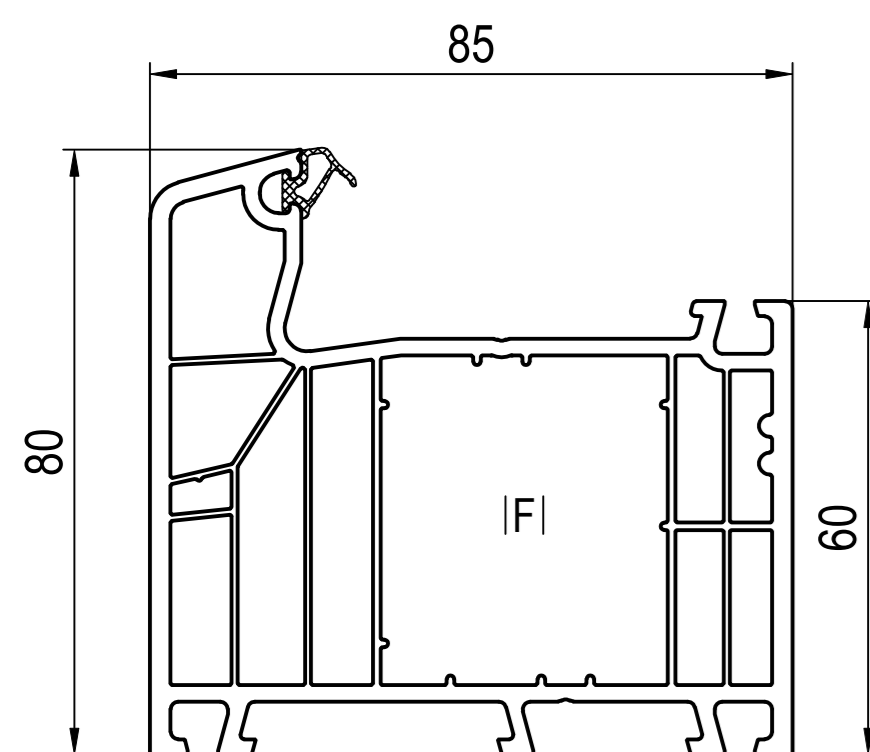
■ 170x30 (CL)  
FI 209192, 209193



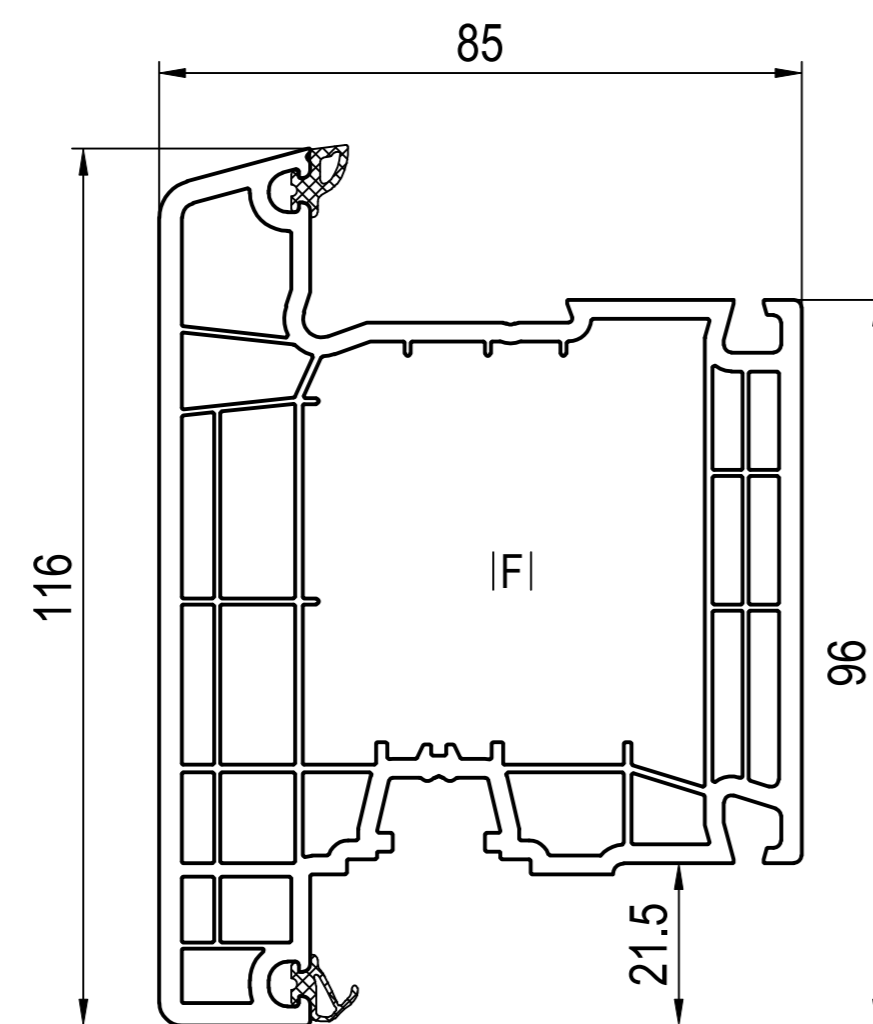
■ 170x39 (CL)  
FI 229135, 229137



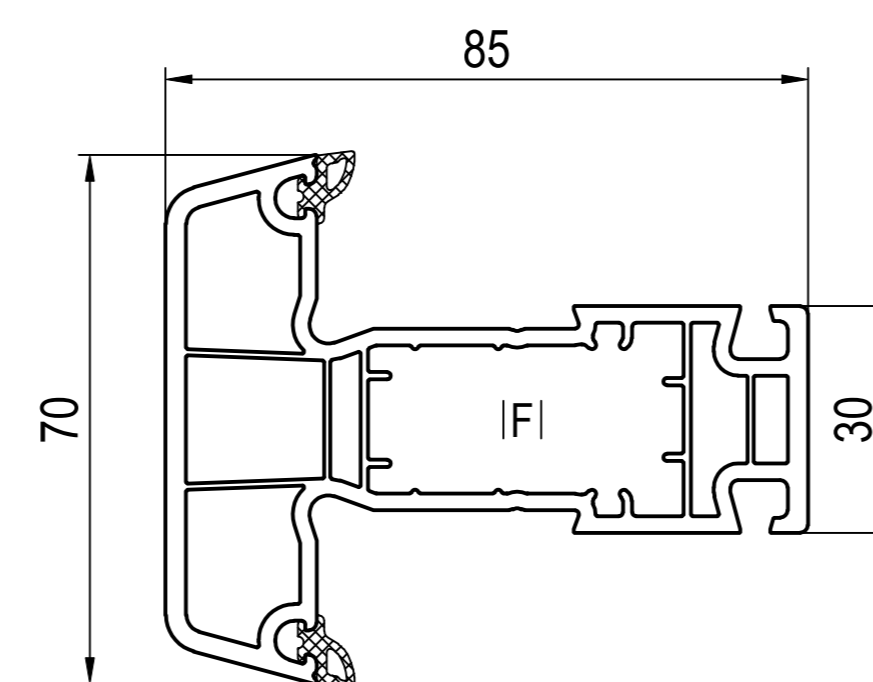
■ 170x41 (CL)  
DI 677101, 679141  
DI 677142, 677241, 620046, 640046  
FI 259043, 259044  
PI 289341



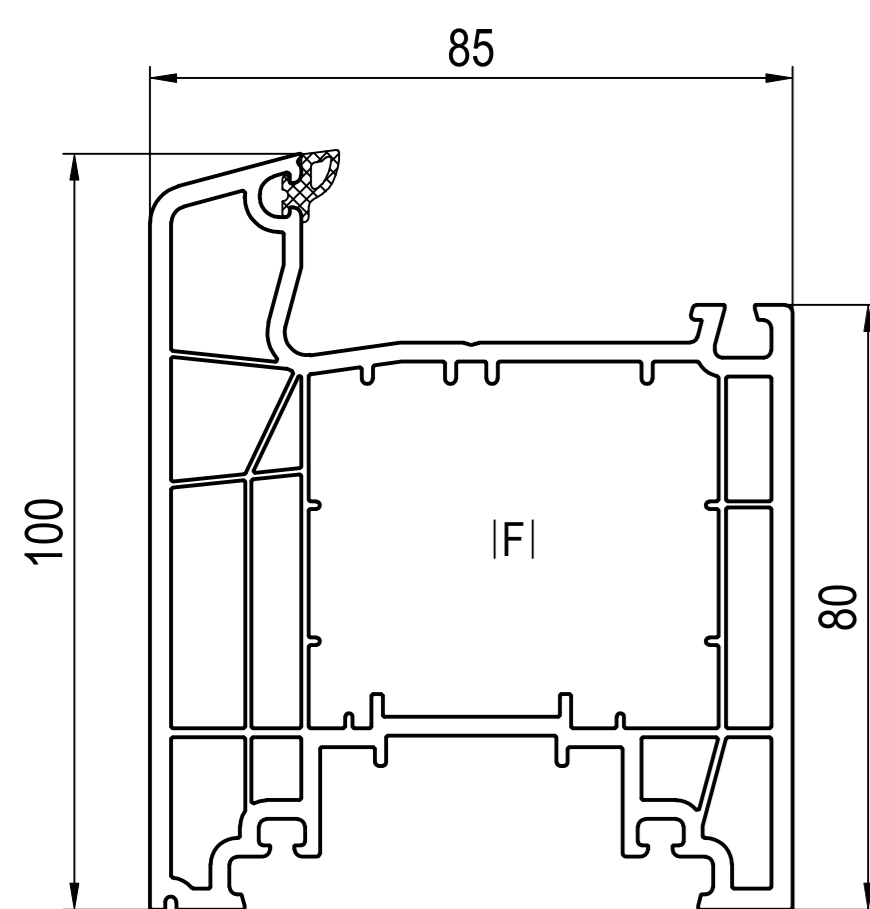
■ 170x03 (CL)  
FI 229017, 229114, 229115, 229120  
PI 289304, 289313  
IQ 287301, 287303  
IU 249058, 269060  
IV 686471



■ 170x35 (CL)  
FI 229135, 229137



■ 180x46 (CL)  
DI 689146, 689148, 680046  
DI 687246, 689156, 689158  
FI 229037  
PI 289346



■ 170x81 (CL)  
FI 229125, 229126  
PI 279381, 289304  
IQ 287301, 287303

□ not laminated  
■ laminated

CI End caps  
DI Connector  
DI Connector without sticks  
DI = DI -> Bonding of pane  
FI Reinforcements  
PI **aluskin** Aluminium shells  
IQ Aluminium step protection  
IU Aluminium threshold  
IV Connection for threshold  
WI Mullion coupler  
IXI Gaskets

-> for

(CL) Classic-line

85  
mm

2  
5-6

AI  
I  
I

CL