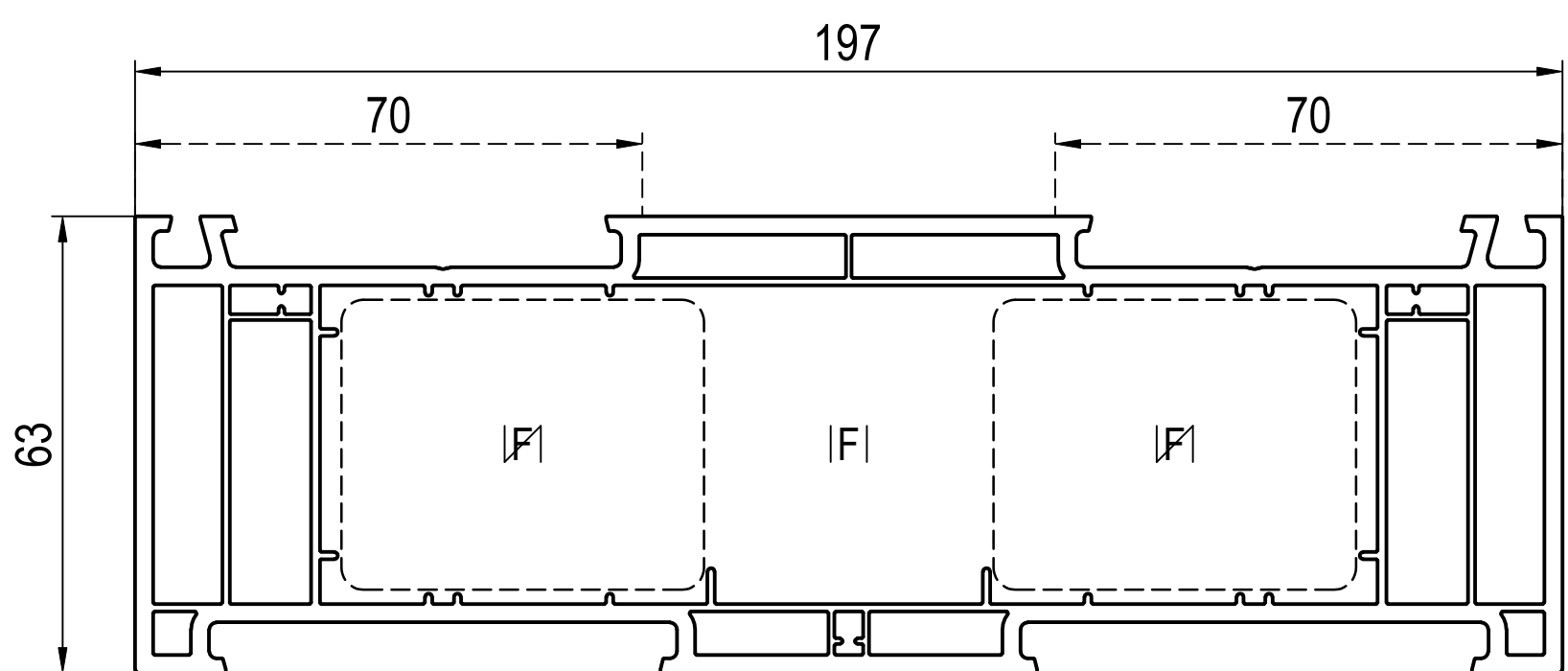
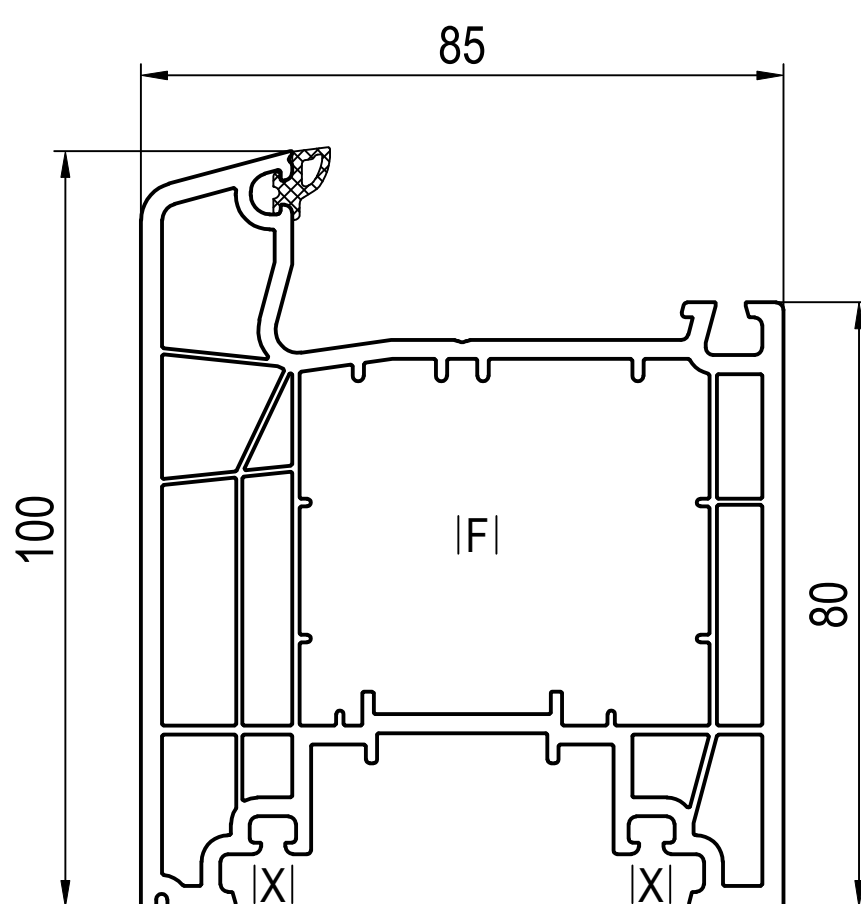


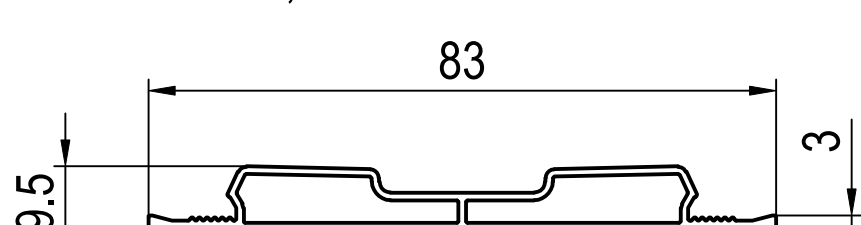
Main Profiles



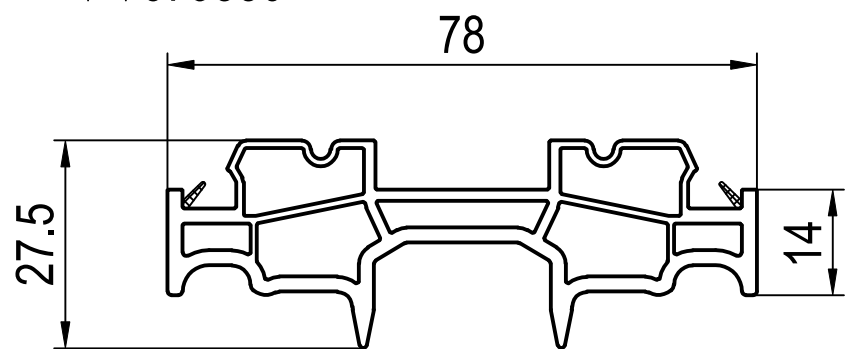
■ 170080
FI 249228 = "premium" "standard"
FI 279108
FI 229125, 229126 = "basic"
PI 279380, 279383
ZI 670380, 679320



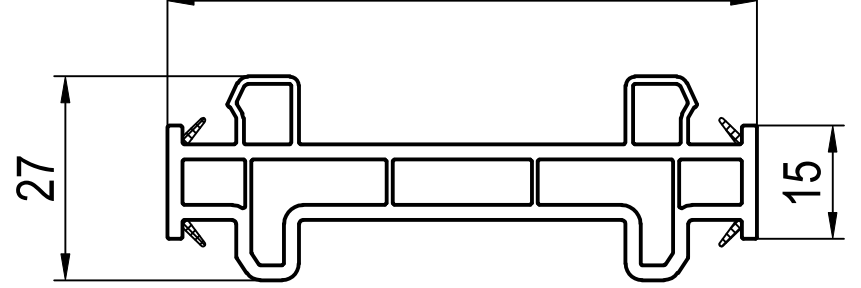
■ 170x81 (CL)
FI 229125, 229126, 279036
FI 229114 + 670290, 229115 + 670290, 279036 = "premium"
PI 279381, 279382, 279386
XI 479181
ZI 679303, 679341



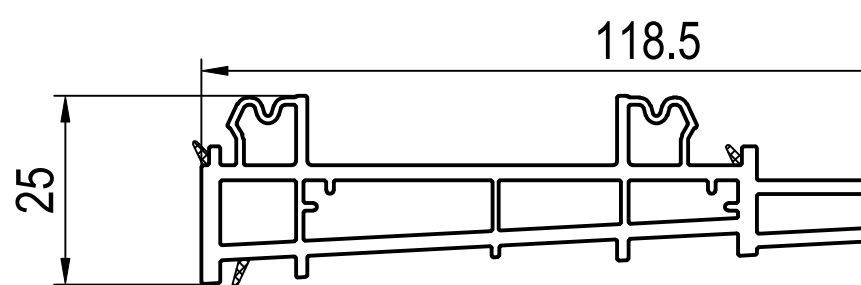
■ 170105
-> 170080, 170x81
XI 479330
ZI 679330



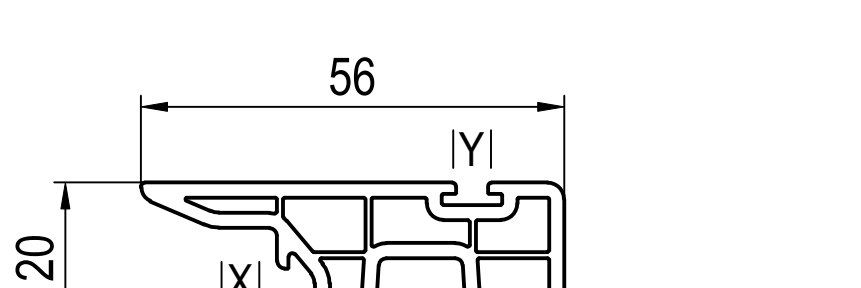
■ 170101
-> 170080, 170x81
XI 679305, 679340
ZI 289341



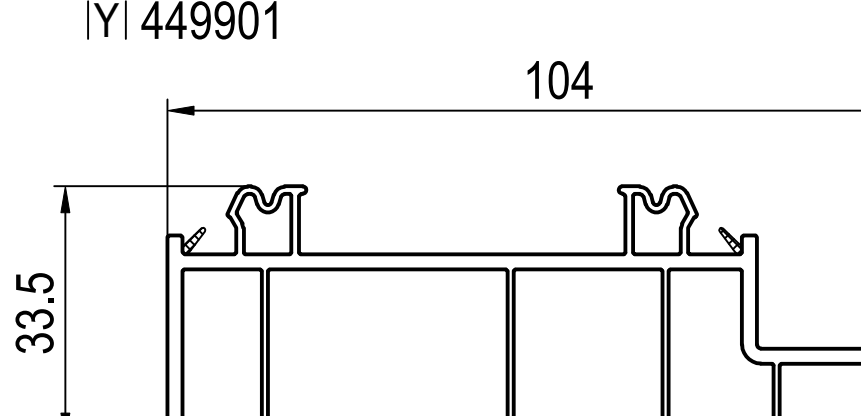
■ 170102
-> 170x81
ZI 679302



■ 176103 gr
-> 170x81
XI 679300
ZI 679302, 679303

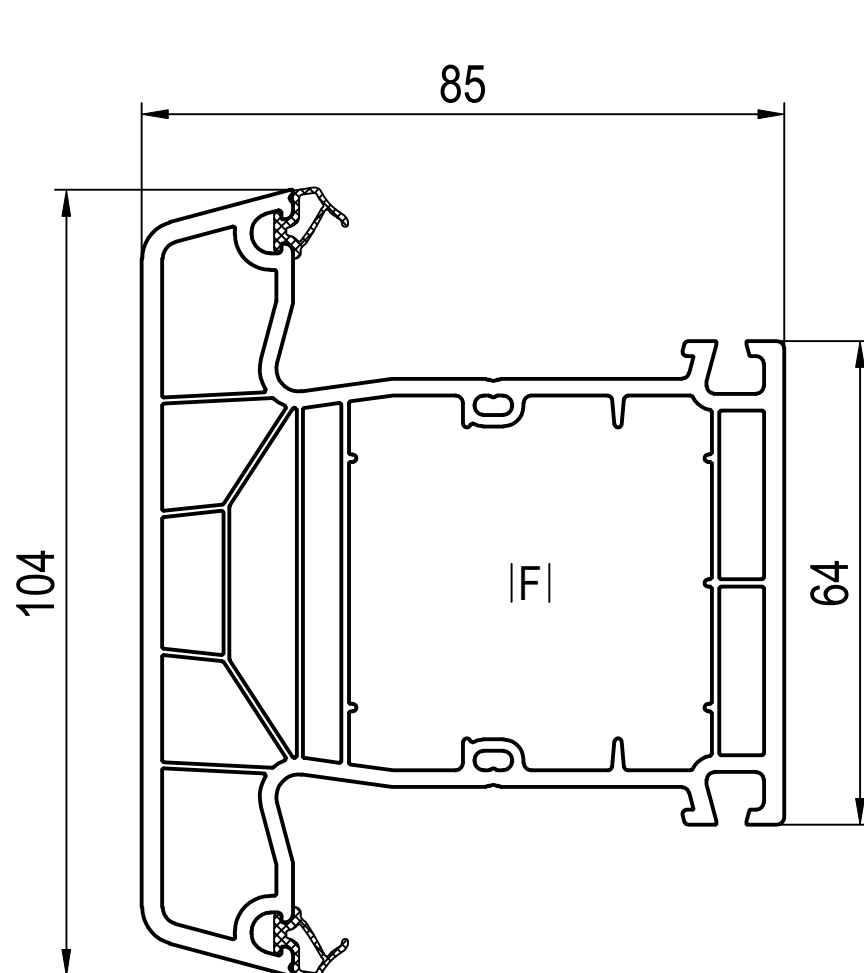


■ 170100
-> 170x81
GI 652923
OI 670901
XI 479180
YI 449901

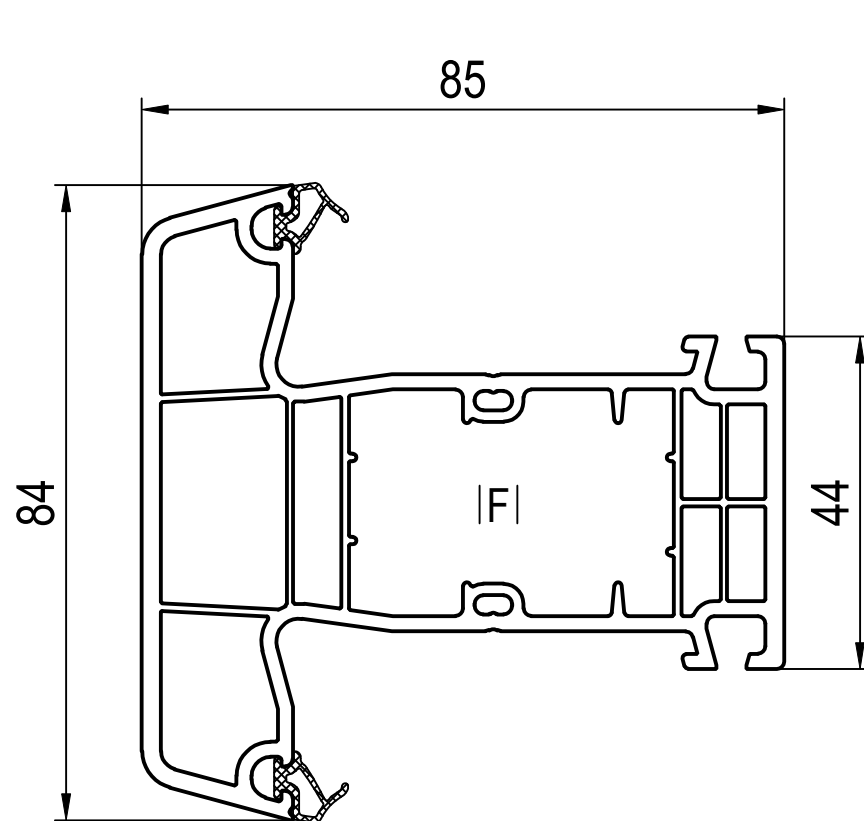


■ 170104
-> 170080
YI 449901
ZI 679304

Transoms



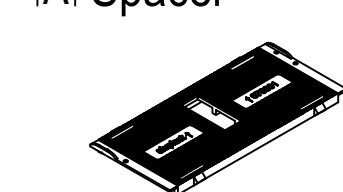
■ 170x44 (CL)
-> 170x81
DI 679134, 677135, 677145, 677146
DI 679104, 677105, 640046
FI 249034, 249035
PI 289343



■ 170x41 (CL)
-> 170x81
DI 677101, 679141
DI 620046, 640046
FI 259043, 259044
PI 289341

Accessories

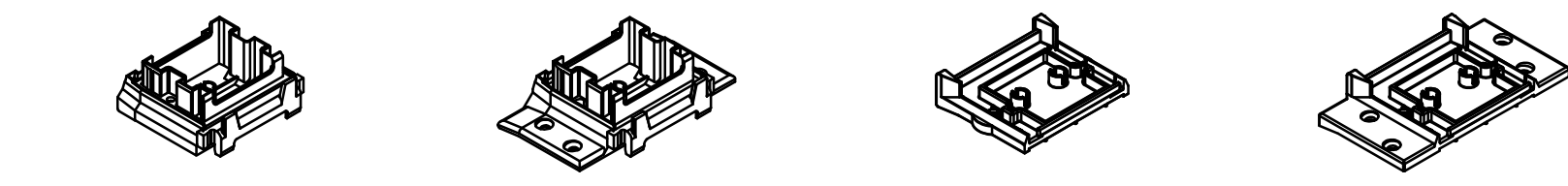
IAI Spacer



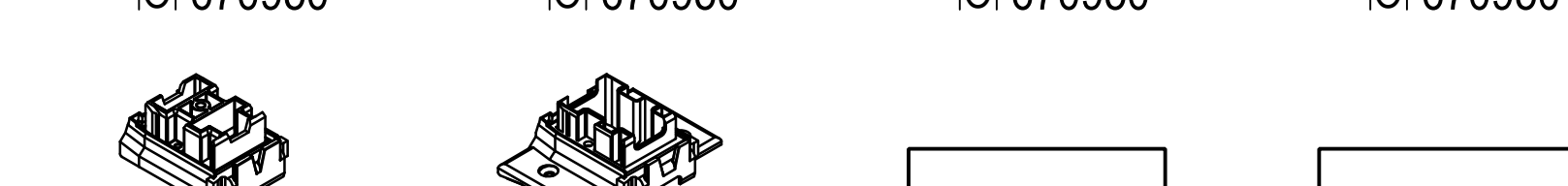
670301
-> 170x41, 170x44, 170x81

ID Connector
ID Connector without sticks
P-Plastic

-> Transoms

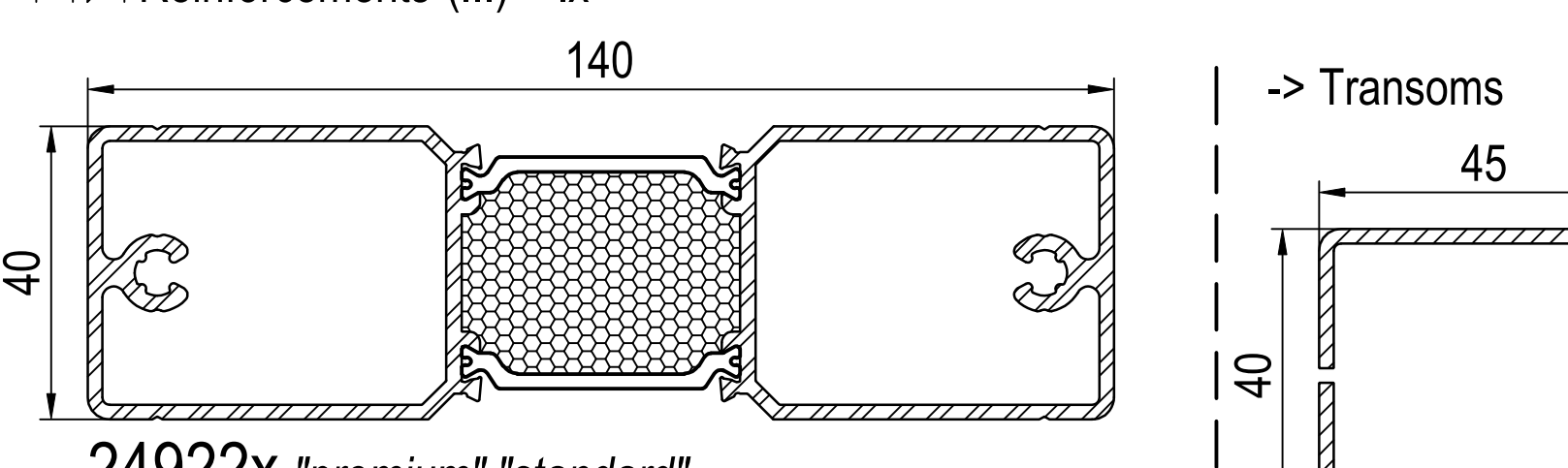


ID 677146 -> 170x44 IOI 670950
ID 677145 -> 170x44 IOI 670950
ID 679135 P -> 170x44 IOI 670950
ID 677134 -> 170x44 IOI 670950

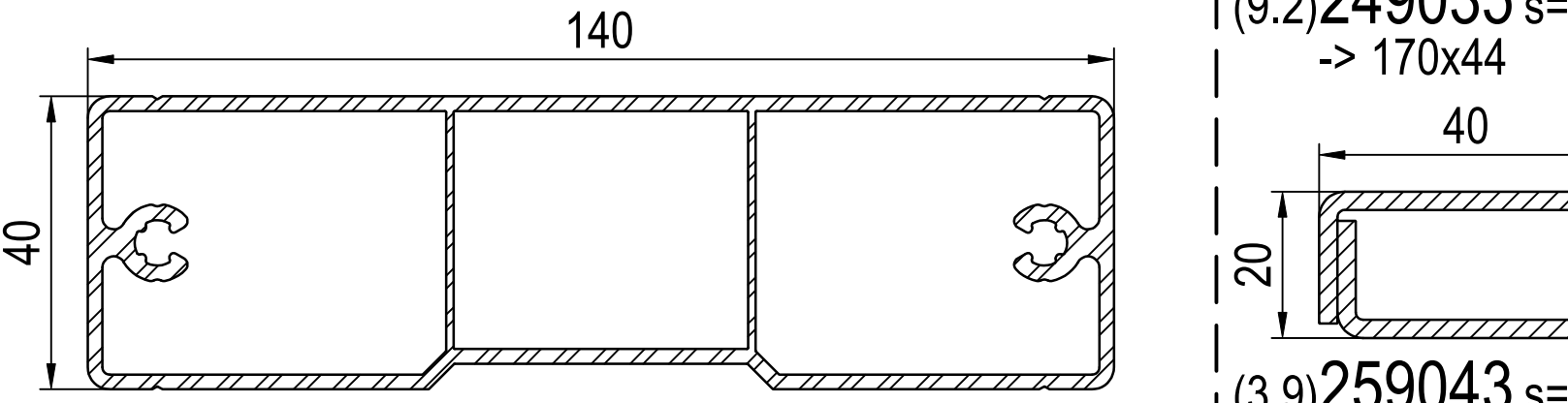


ID 679141 P -> 170x41 IOI 670950
ID 677101 -> 170x41 IOI 670950
ID 620046 P -> 35x20x1000mm -> 170x41
ID 640046 P -> 45x20x1000mm -> 170x41, 170x44

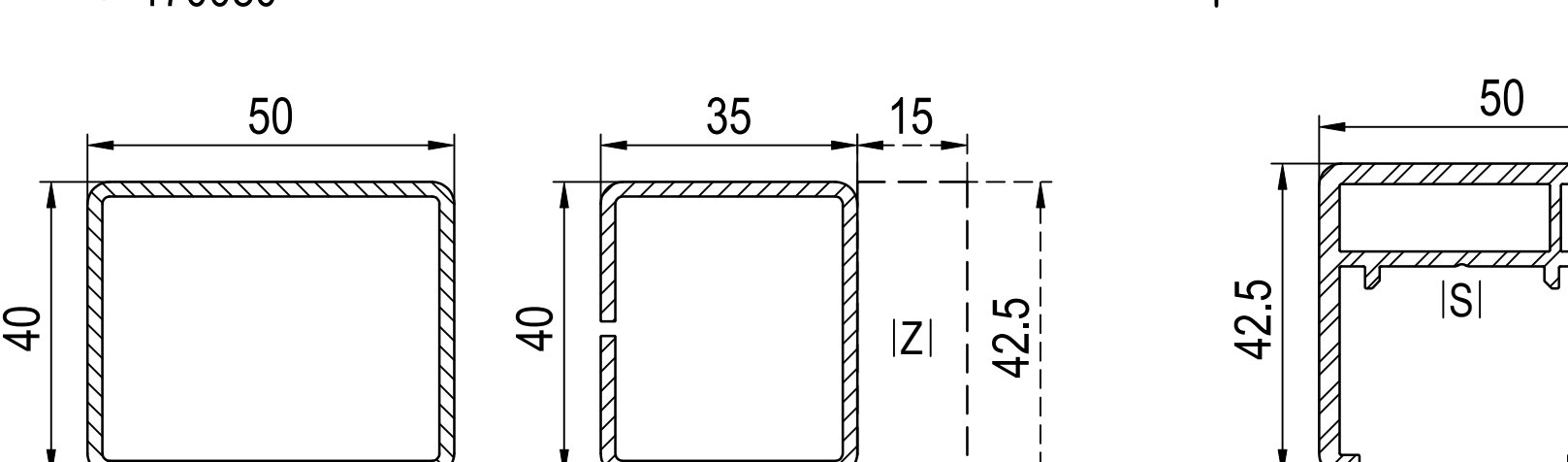
IFI Reinforcements (...) = Ix



24922x "premium" "standard"
(6.5) 249228 s=2.0 l=6.7m (197) aluminium
-> 170080
(6.1) 249034 s=1.25
(9.2) 249035 s=2.0
-> 170x44



27910x
(6.9) 279108 s=2.0 l=6.7m (206) aluminium
-> 170080
(3.9) 259043 s=1.5
(5.6) 259044 s=2.5
-> 170x41



12.1) 229125 s=2.0
16.8) 229126 s=3.0
-> 170080, 170x81
(4.0) 229114 s=1.5 "premium"
(5.0) 229115 s=2.0
-> 170x81 + ZI 670290
(5.9) 279036 s=2.8
(17.8) aluminium
-> 170x81
ISI 279189

IGI Nipple screw / Clip



652923
-> uPVC
-> 170100
OI 670901

IHI Installation / mounting anchor
see plan:
Additional Profiles
Structural profiles

IOI Mounting accessories

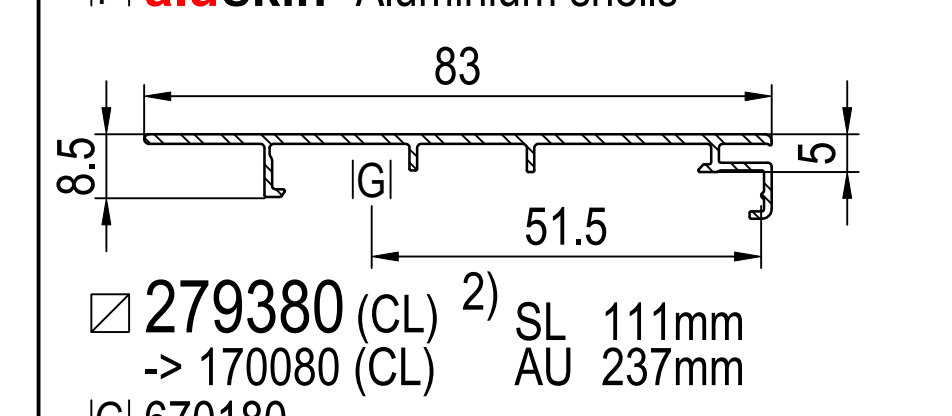


670918 -> ZI 670380, 679320
670901 -> GI 652923 + 170100
670941 -> ZI 679341

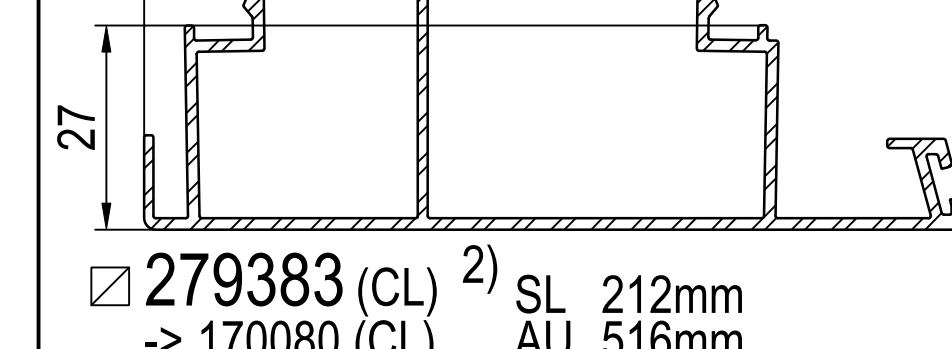


670950
-> DI 677101, 677134, 679135, 679141, 677145, 677146
-> DI 677104, 679105, 677142, 677144

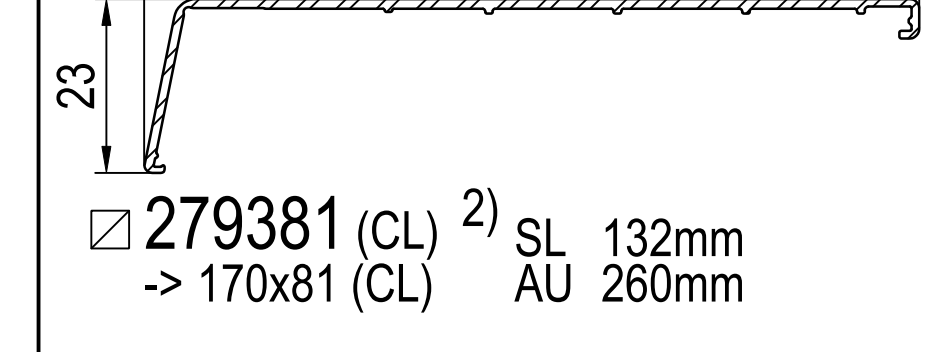
IPi aluskin Aluminium shells



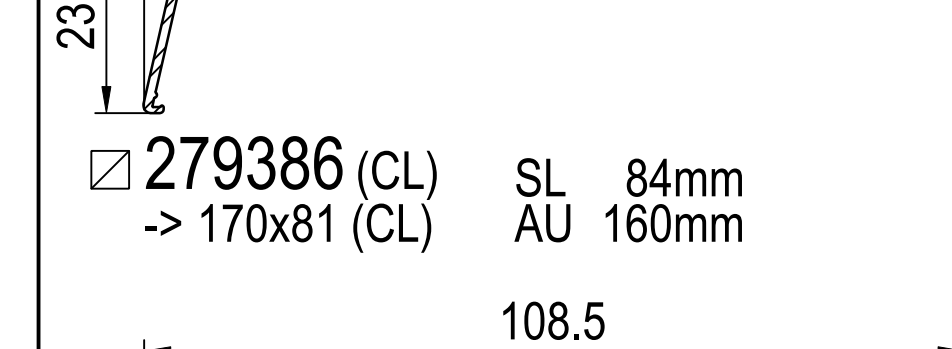
■ 279380 (CL) 2 SL 111mm
-> 170080 (CL) AU 237mm
GI 670180



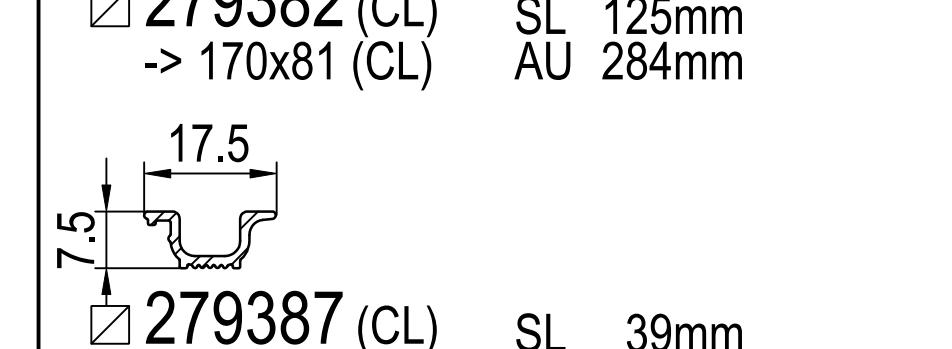
■ 279383 (CL) 2 SL 212mm
-> 170080 (CL) AU 516mm
YI 449183



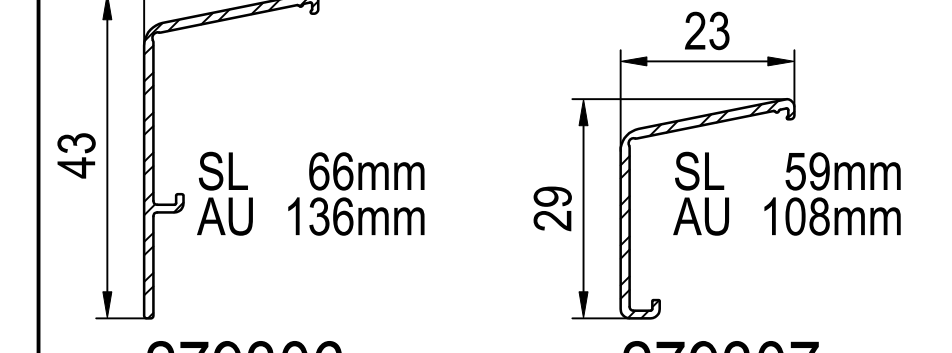
■ 279381 (CL) 2 SL 132mm
-> 170x81 (CL) AU 260mm



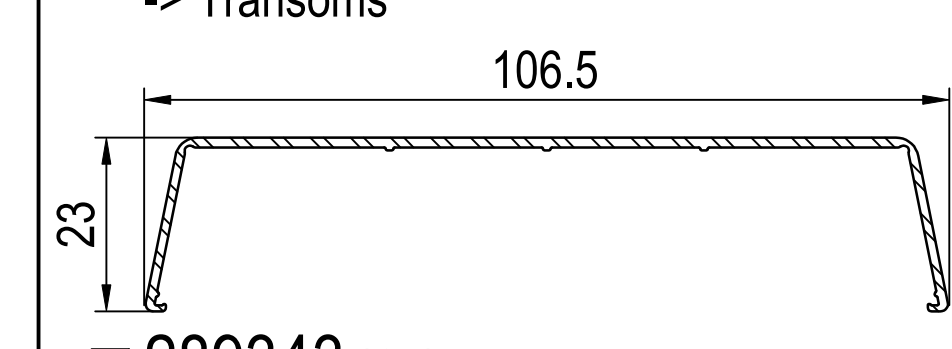
■ 279386 (CL) SL 84mm
-> 170x81 (CL) AU 160mm



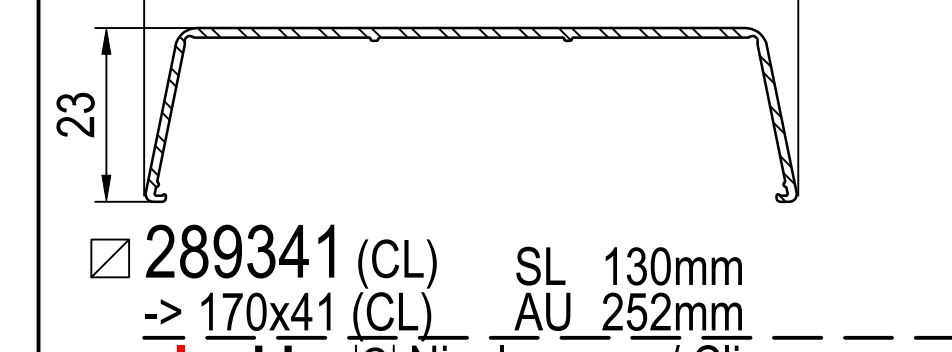
■ 279382 (CL) SL 125mm
-> 170x81 (CL) AU 284mm



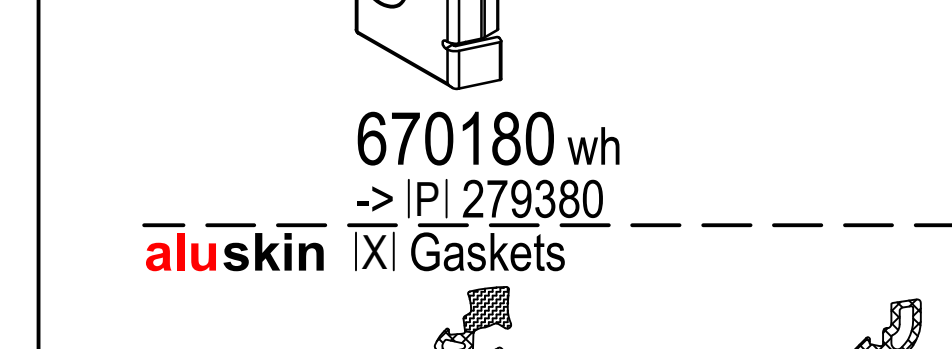
■ 279387 (CL) SL 39mm
-> 170101 (CL) AU 59mm



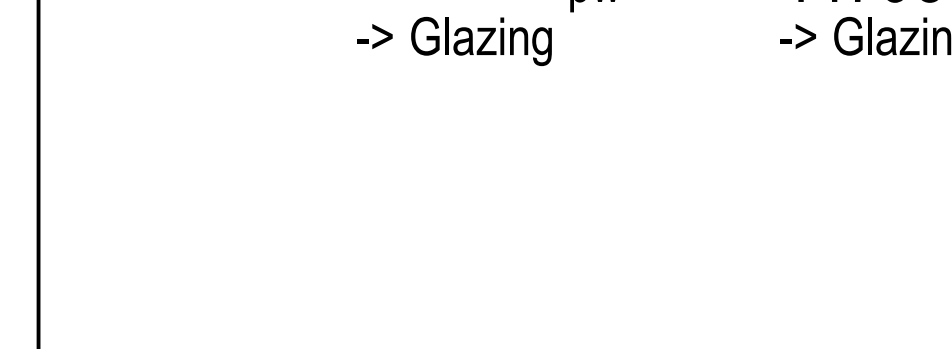
■ 279306 (CL) SL 66mm
-> 170082 (CL) AU 136mm
-> Transoms



■ 279307 (CL) SL 59mm
-> 170082 (CL) AU 108mm



■ 289343 (CL) SL 150mm
-> 170x44 (CL) AU 292mm

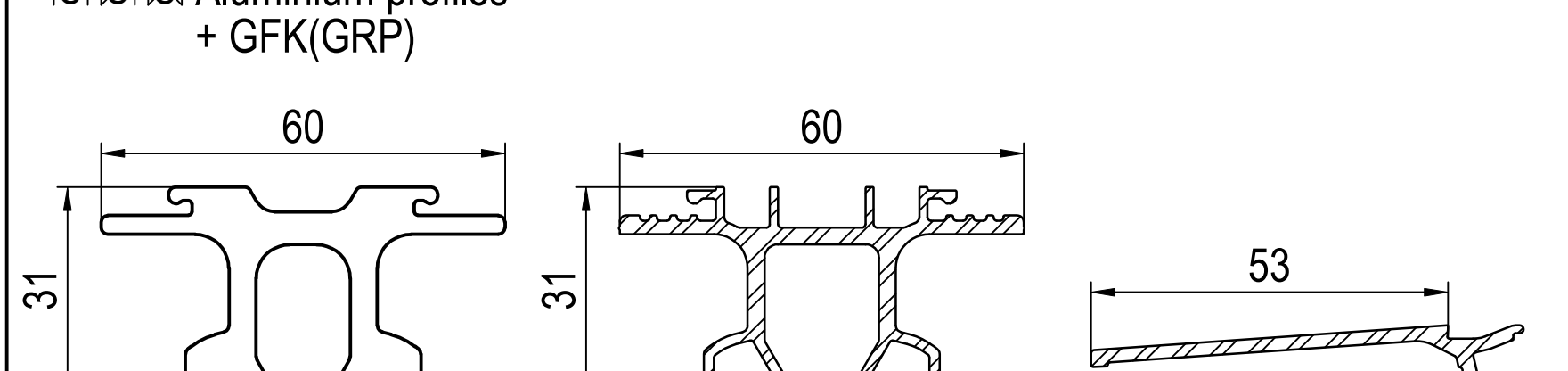


■ 289341 (CL) SL 130mm
-> 170x41 (CL) AU 252mm
aluplast IGI Nipple screw / Clip

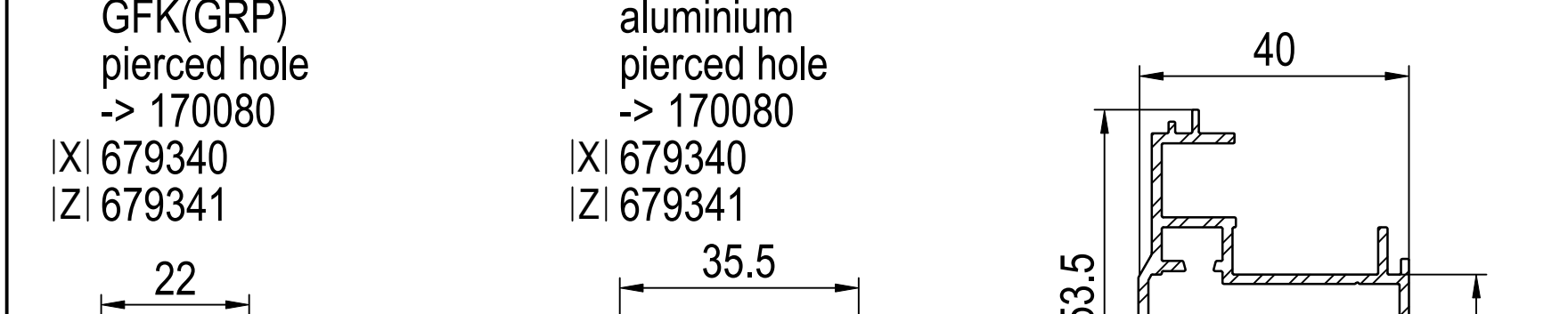


670180 wh
-> PI 279380
aluplast IGI Gaskets
459951 bl or 449986 bl
-> Glazing
447986 pw
-> Glazing

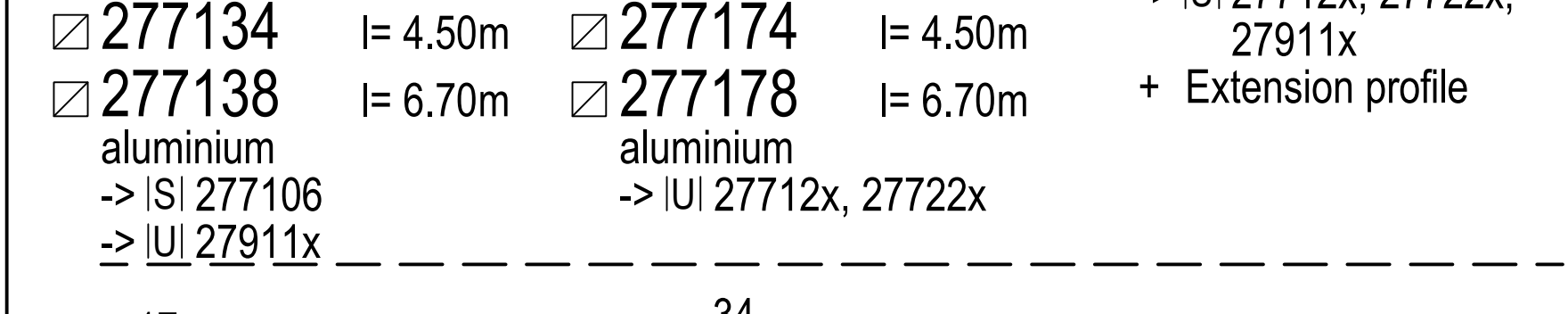
ISI Aluminium profiles + GFK(GRP)



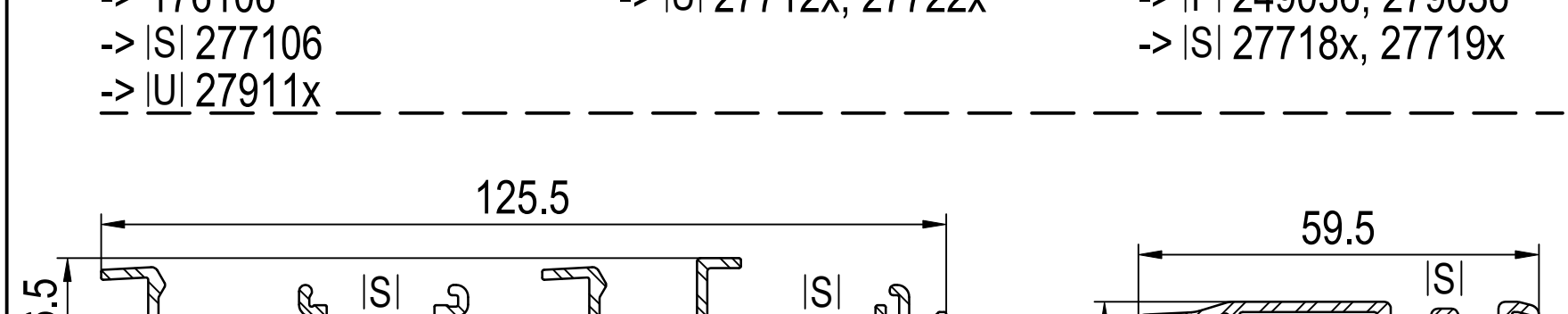
27914x "premium" SL 60mm
■ 279140 gr l=3.00m
■ 279144 gr l=4.50m
■ 279148 gr l=6.70m
GFK(GRP) aluminium pierced hole
-> 170080
XI 679340
ZI 679341



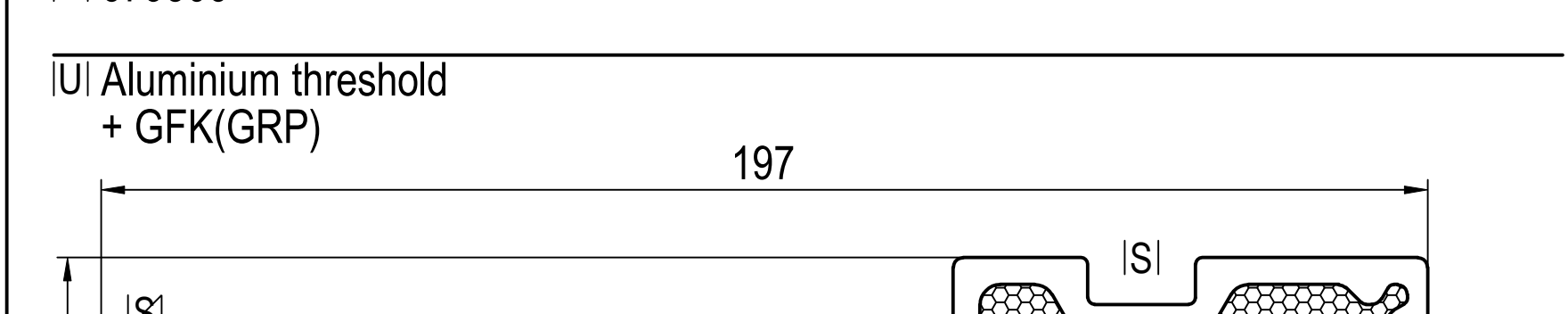
27715x SL 60mm
■ 277150 l=3.00m
■ 277154 l=4.50m
■ 277158 l=6.70m
aluminium pierced hole
-> 170080
XI 679340
ZI 679341



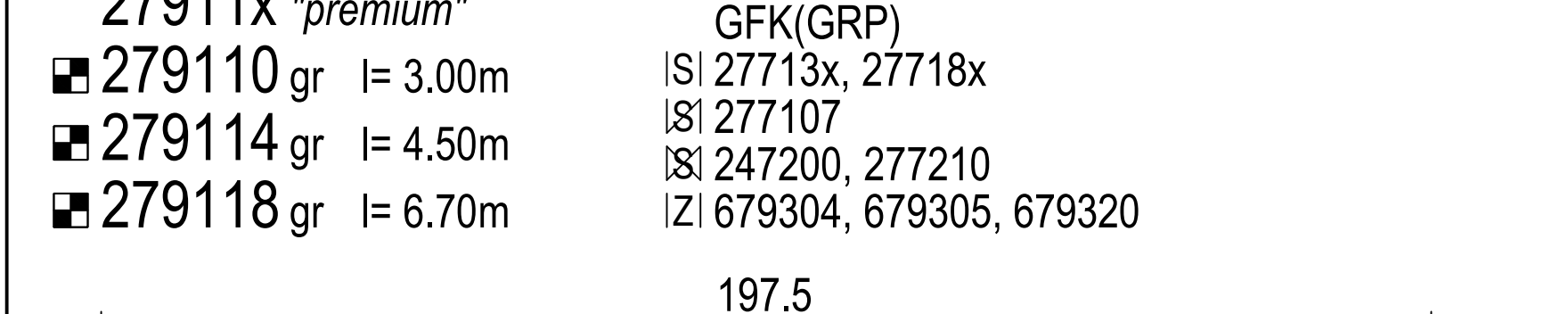
277210 l=6.70m
aluminium
-> IUI 27712x, 27722x, 27911x
+ Extension profile
27717x l=3.00m
■ 277170 l=3.00m
■ 277174 l=4.50m
■ 277178 l=6.70m
aluminium
-> IUI 27712x, 27722x



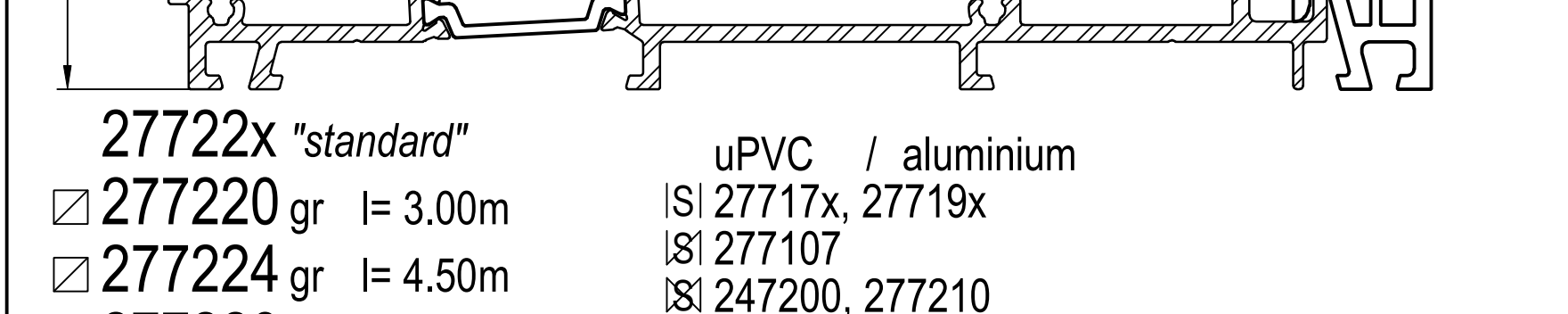
277180 l=6.70m
aluminium
-> 176106
-> ISI 277106
-> IUI 27911x
277190 l=6.70m
aluminium
-> IUI 27712x, 27722x
279189 l=6.00m
aluminium
-> IFI 249036, 279036
-> ISI 27718x, 27719x



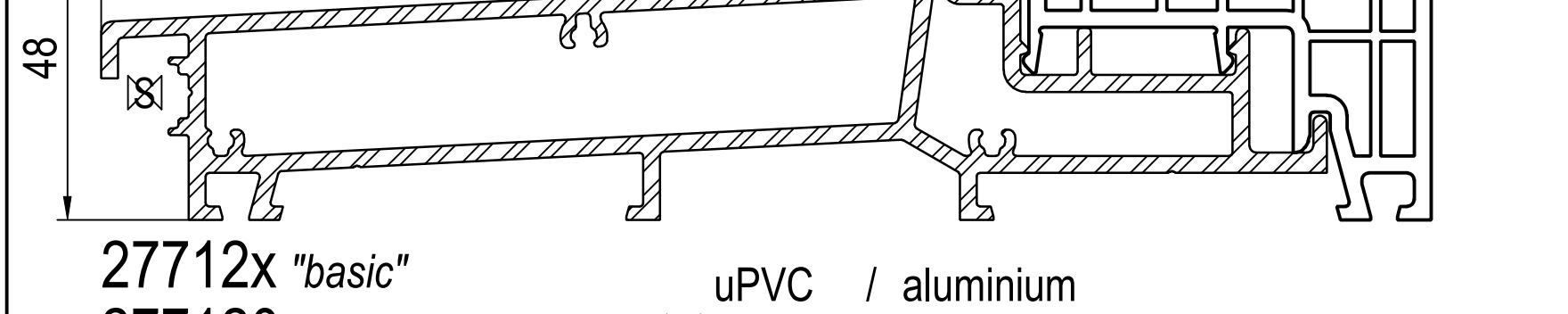
277107 l=85mm
aluminium
ISI 277106
IUI 27712x, 27722x, 27911x
ZI 679306
277106 l=6.70m
aluminium
ISI 27713x, 27718x
ISI 277107



27911x "premium" GFK(GRP)
■ 279110 gr l=3.00m
■ 279114 gr l=4.50m
■ 279118 gr l=6.70m
ISI 27713x, 27718x
ISI 277107
ISI 247200, 277210
ZI 679304, 679305, 679320

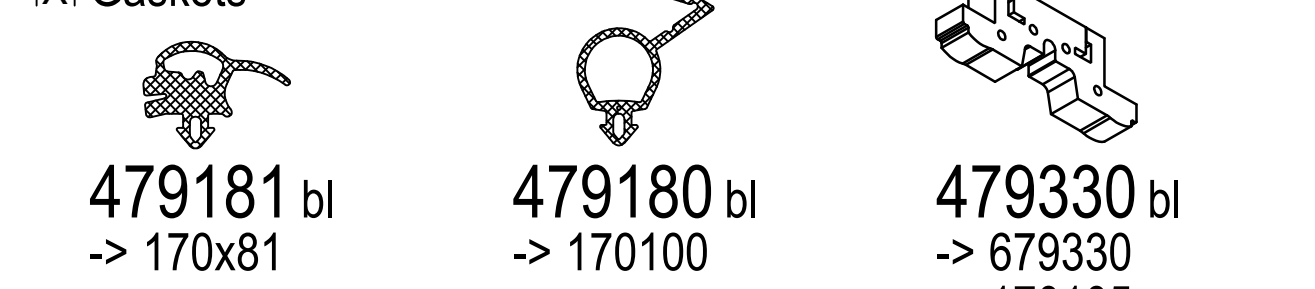


27722x "standard" uPVC / aluminium
■ 277220 gr l=3.00m
■ 277224 gr l=4.50m
■ 277228 gr l=6.70m
ISI 27717x, 27719x
ISI 277107
ISI 247200, 277210
ZI 679304, 679305, 679320

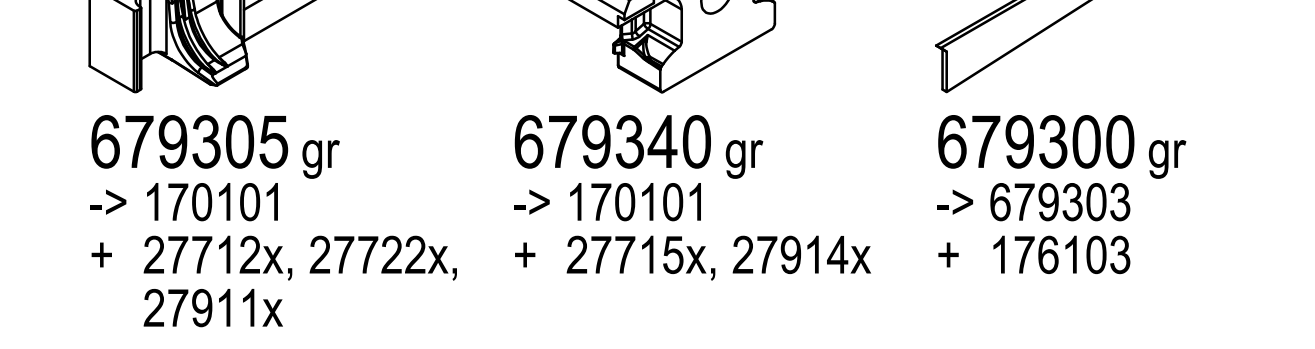


27712x "basic" uPVC / aluminium
■ 277120 gr l=3.00m
■ 277124 gr l=4.50m
■ 277128 gr l=6.70m
ISI 27717x, 27719x
ISI 277107
ISI 247200, 277210
ZI 679304, 679305, 679320

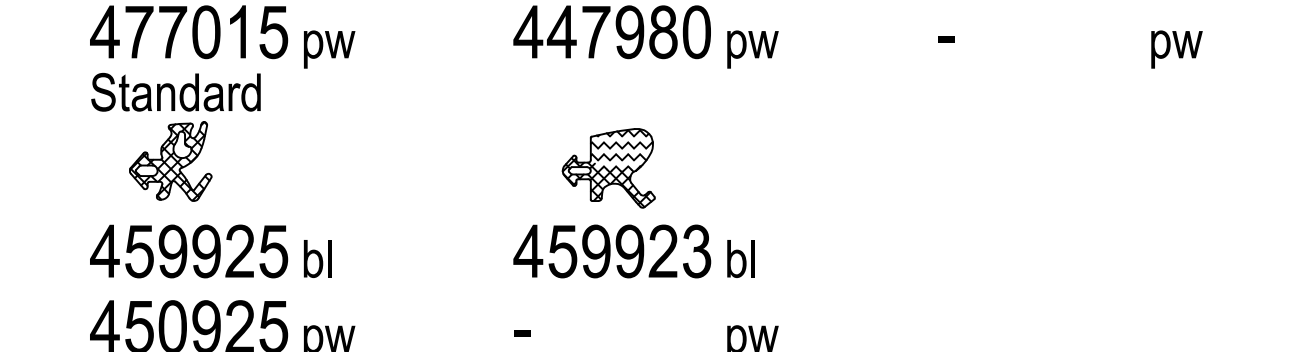
XI Gaskets



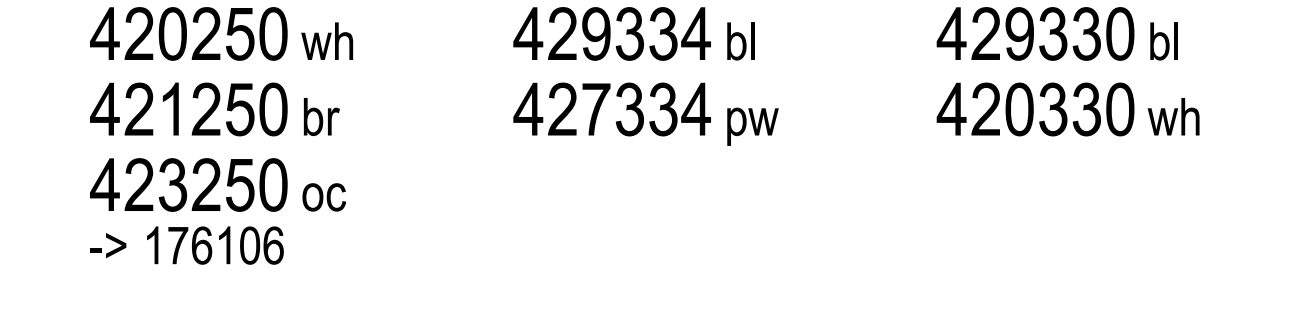
479181 bl -> 170x81
479180 bl -> 170100
479330 bl -> 679330 + 170105



679305 gr -> 170101
+ 27712x, 27722x, 27911x
679340 gr -> 170101
+ 27715x, 27914x
679300 gr -> 679303 + 176103

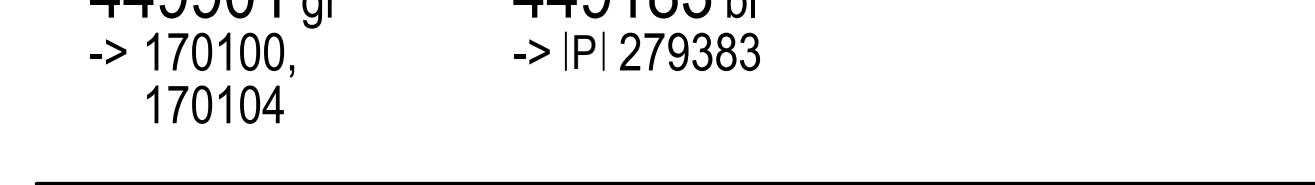


479015 bl
477015 pw Standard
459925 bl
450925 pw
453925 oc



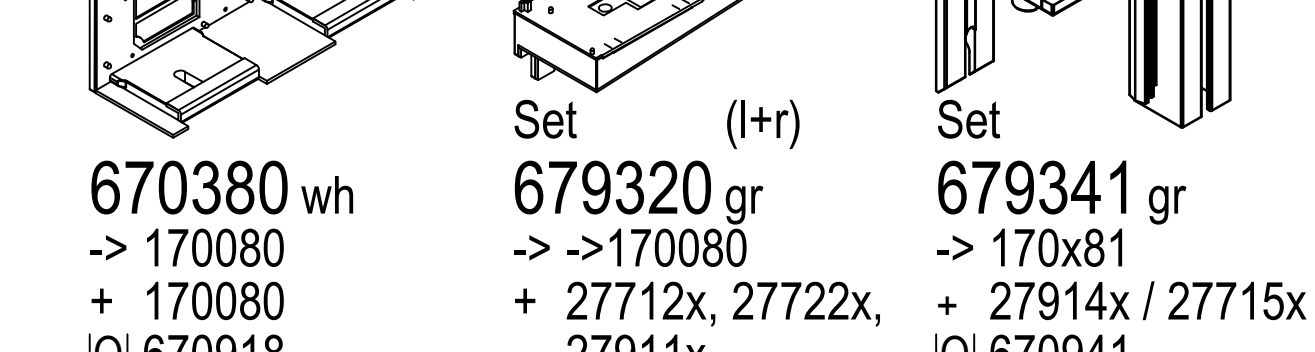
420250 wh
421250 br
423250 oc -> 176106
449980 bl
447980 pw
459923 bl pw
429334 bl
427334 pw
429330 bl
420330 wh

YI Brush seals

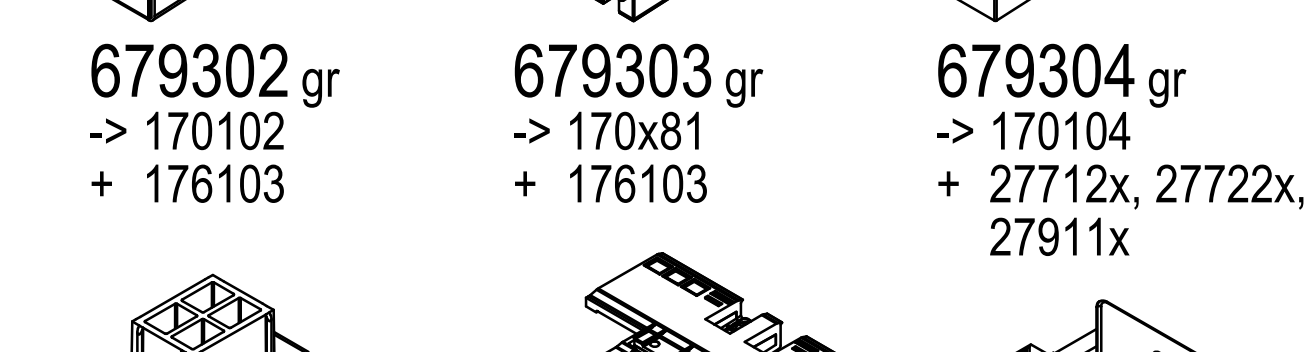


449901 gr -> 170100, 170104
449183 bl -> PI 279383

ZI Special accessories



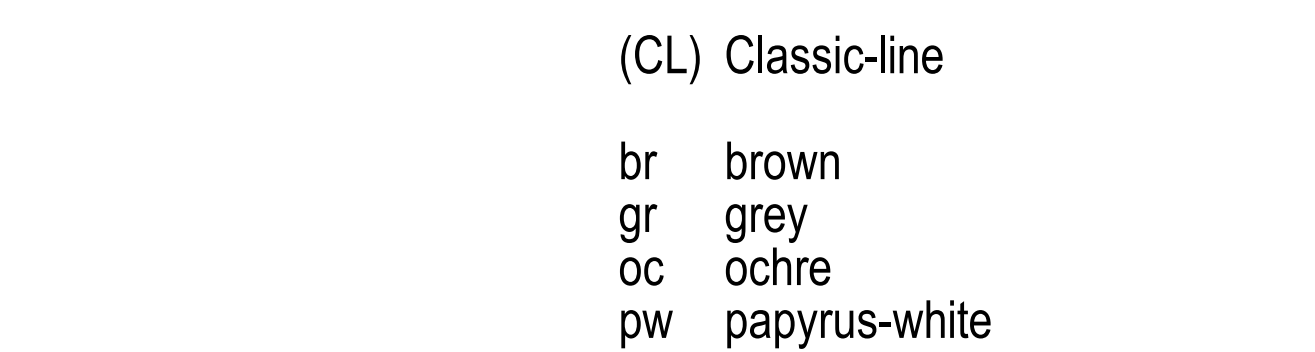
670380 wh -> 170080, 170080 + 170080
OI 670918
679320 gr -> 170080 + 27712x, 27722x, 27911x
OI 670918
679341 gr -> 170x81 + 170080 + 27714x / 27715x
OI 670941



679302 gr -> 170102 + 176103
679303 gr -> 170x81 + 176103
679304 gr -> 170104 + 27712x, 27722x, 27911x



670382 wh -> 170x81 + 170082
679306 gr -> 176106, ISI 277107
679330 gr -> 170105
XI 479330



670290 -> 42.5x15x1000mm
-> 170x81
+ IFI 229114, 229115
not laminated
laminated
foam inside -> X
-> for
(CL) Classic-line
br brown
gr grey
oc ochre
pw papyrus-white
bl black
wh white
SL visible length
AU exterior perimeter

